

0CNP4-M93500EN

## Directions for the Parts Catalog.

1. The parts stipulated in this Parts Catalog are not necessarily standard equipped parts.
2. Parts may change without prior notice.
3. The following is an example of the Parts Catalog format.

REF.	LEV.	PARTS NO.	DESCRIPTION	Q'TY						I	R
				(A)	(B)	(C)	(D)	(E)	(F)		
1	1	729595-51390	FUEL INJECTION PUMP	1	1	1	1	1			1
1-1	1	729595-51391	FUEL INJECTION PUMP	1	1	1	1	1		N	1
		(A=E00185) (B=E00200)									
3	2	26022-060162	SCREW M 6X 16	9	9	9	9	9			
3-1	2	26022-060162	SCREW M 6X 16	4	4	4	4	4		K	
		(A=E00156) (B=E00156) (C=E00156) (D=E00156) (E=E00156)									
4	2	129470-51040	CAMSHAFT	1	1	1	1	1			
5	2	122710-51050	BEARING, ROLLER	2	2	2	2	2			
6	2	129470-51060	RETAINER	1	1	1	1	1			

Remarks
(1) BOOST COMPEMSATOR TYPE. OPTIONAL PART, TO E00155,(4JH-DT, 4JH-DTZ

### ① Ref. No.

The Ref. No. listed may not be in accordance with the illustration Ref. No.

(Ex.) Illustration No.

List Ref No.

1

1

(Before change)

1-1

(After change)

For interchangeable symbols N, R and K, illustrations for new parts may be abbreviated.

### ② Lev. (Level)

Level indication

The numbers below indicate the level of relativity towards the main part.

1 ----- Main parts (Assembly parts)

2 ----- Sub component included in " 1 ".

3 ----- Sub component included in " 2 ".

Note) Parts that are not for sale are partially illustrated but not listed.

### ③ Interchangeability Mark

When a part change takes place, one of the following interchangeability symbols is indicated beside the part.

Symbol	Interchangeability	Contents note
N	Old $\begin{matrix} \leftarrow \text{Yes} \\ \text{No} \rightarrow \end{matrix}$ New	New Part is interchangeable for Old Part but Old Part is not interchangeable for New Part.
Q	Old $\begin{matrix} \leftarrow \text{No} \\ \text{Yes} \rightarrow \end{matrix}$ New	New Part is not interchangeable for Old Part but Old Part is interchangeable for New Part.
R	Old $\begin{matrix} \leftarrow \text{Yes} \\ \text{Yes} \rightarrow \end{matrix}$ New	New/ Old Parts are both interchangeable.
S	Old $\begin{matrix} \leftarrow \text{No} \\ \text{No} \rightarrow \end{matrix}$ New	New/ Old Parts are both not interchangeable.
W		Part newly added.
Z		Part discontinued.
F		Not interchangeable by a single part but interchangeable together with related parts.
K		Changes only for used parts quantities.

### ④ Effective Machine No.

When a part changes, the effective Machine No. will be indicated in the (A)-(F) column.

Product Symbol	Product No.	Product Symbol	Product No.
C	Clutch No. Compressor No.	F	Machine No. (Agricultural Equip.)
D	Drive No.	M	Machine No.
E	Engine No.		

Note 1) A date may follow the symbol. (Ex.) 1996.01

Note 2) "XXXXX" and "ZZZZZ" are for parts that could not be predicted or for engine models that could not be identified.

Note 3) (A=E00185) is the E (Engine Serial Number) for the column (A) model (in this case 4JH-DT) after the parts design change.

### ⑤ Remarks Mark

Figures or alphabets (symbols) are entered in the remarks column.

The comments (remarks) on parts that are indicated at the bottom of the illustration are the same symbols as those stated above.

# Contents

Fig. No.	Fig. Name
ENGINE RELATE SECTION	
1.	ENGINE
2.	ENGINE BASE
3.	ENGINE CONTROL
TRANSMISSION TRV SECTION	
4.	TRAVEL CLUTCH
5.	BELT TRANSMISSION
6.	TRAVEL TRANSMISSION
7.	BRAKE
8.	TRANSMISSION CASE
9.	AXLE CASE
10.	CHANGE
11.	HST
CONTROL UNIT	
12.	HANDLE
13.	CONTROL PANEL
14.	DRIVE CLUCH
15.	SIDE CLUCH
16.	MAIN CHANGE
17.	BRAKE CONTROL
18.	SHOOTER LEVER
19.	SNOW REMOVING UNIT CONTROL

Fig. No.	Fig. Name
SHASSIS & CRAWLER SECTION	
20.	SHASSIS
21.	CRAWLER
ELECTRICAL PARTS SECTION	
22.	CYLINDER,MOTOR
23.	HARNESS
24.	SWITCHS
25.	LAMP
26.	RELAY BRACKET
27.	RELAY
FITTING PARTS UNIT	
28.	BONNET
29.	COVER
30.	BONNET KEEL
SNOW REMOVING SECTION	
31.	SNOW REMOVING FRAME
32.	AUGER SIDE BOARD
33.	AUGER COVER
34.	AUGER BOTTOM
35.	CHUTE
36.	DEFLECTOR
37.	CHANGE ROTATION

# Contents

Fig. No.    Fig. Name

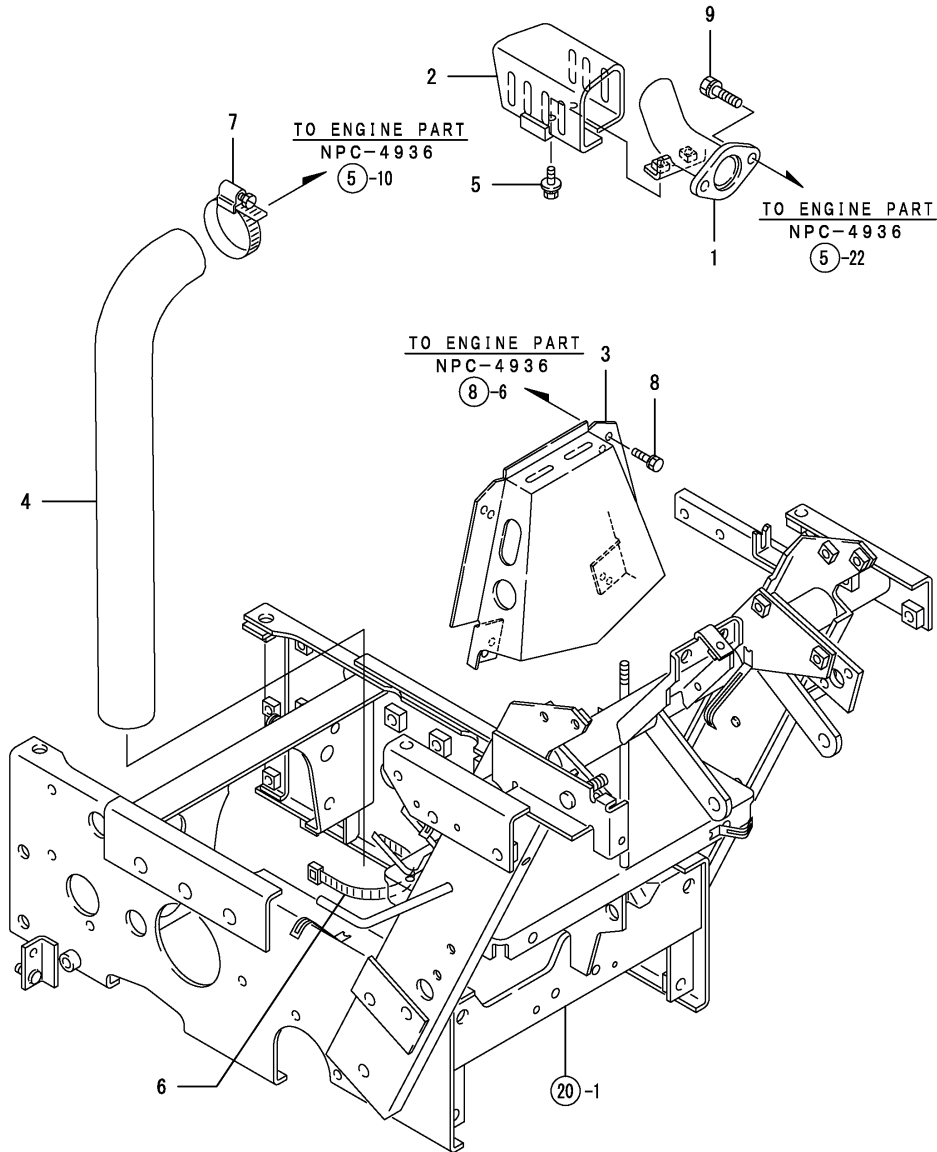
- 38. DEFLECTOR DRIVE
- 39. GEAR CASE
- 40. BLOWER SHAFT
- 41. AUGER SHAFT
- 42. GEAR CASE SUPPORT
- 43. AUGER
- 44. BLOWER
- 45. SNOW REMOVING MOUNTING

Fig. No.    Fig. Name

## LABELS & ACCESSORIES SECTION

- 46. LABEL
- 47. LABELS(SAFETY
- 48. TOOLS
- 49. ACCESSORY

Fig.1. ENGINE

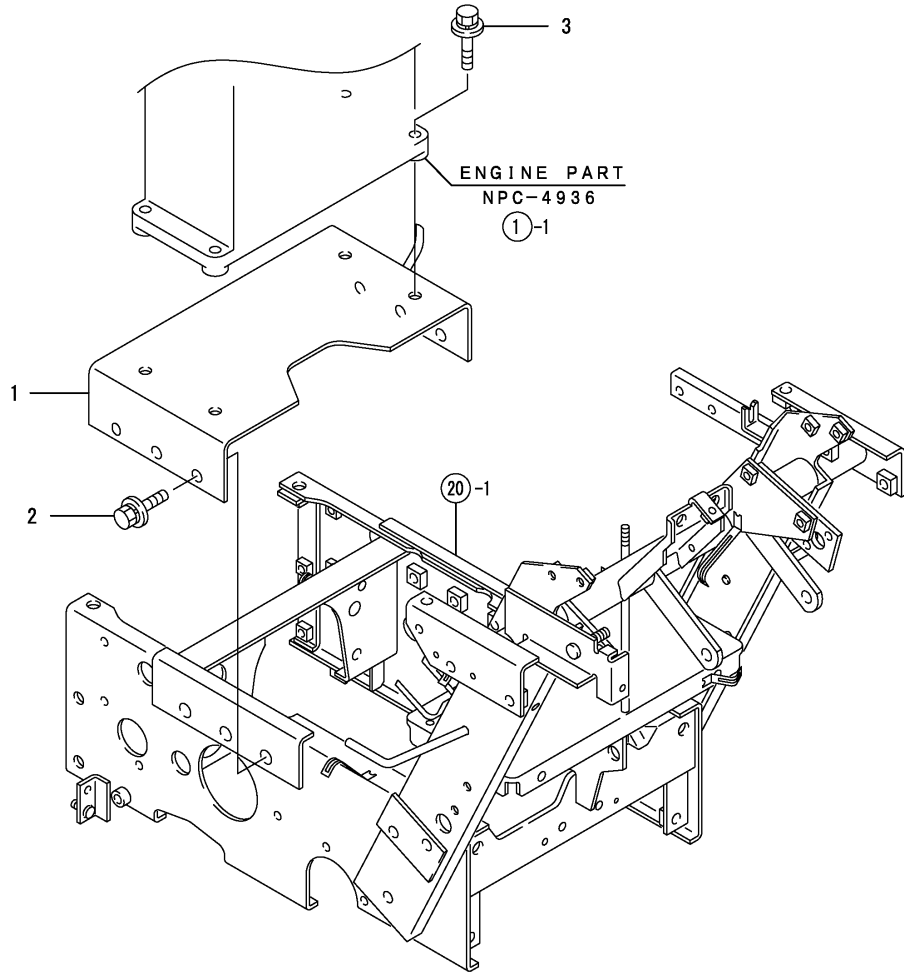


(A)=YSRA1090  
(B)=  
(C)=

(D)=  
(E)=  
(F)=

No.	Lev.	Parts No.	Description	Q'ty						I	R
				(A)	(B)	(C)	(D)	(E)	(F)		
1	1	1N3280-00111	PIPE COMPL., TAIL	1							
2	1	1N3280-00160	COVER, TAIL	1							
3	1	1N3280-01510-1	DUCT, FAN	1							
4	1	1N3280-01550	HOSE, INTAKE	1							
5	1	1D4160-52480	BOLT, M6X12	2							
6	1	1E6150-83910	BAND 195	1							
7	1	23000-048000	CLAMP, 48	1							
8	1	26013-060104	BOLT 6X10 W/SP.WSHR.	4							
9	1	26013-080252	BOLT, M8X 25	2							

Fig.2. ENGINE BASE

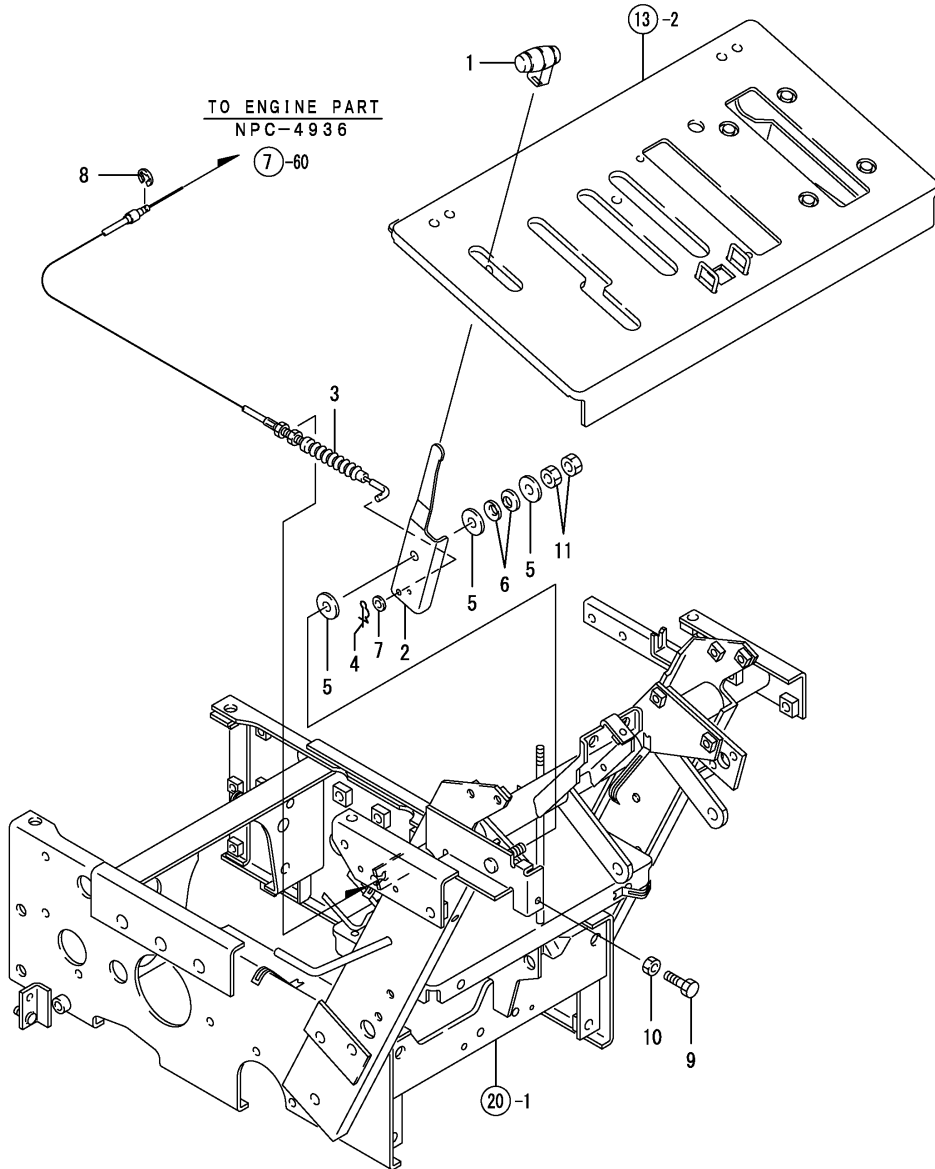


(A)=YSRA1090  
(B)=  
(C)=

(D)=  
(E)=  
(F)=

No.	Lev.	Parts No.	Description	Q'ty						I	R
				(A)	(B)	(C)	(D)	(E)	(F)		
1	1	1N3280-01113-1	MOUNTING METAL	1							
2	1	26014-100252	BOLT, M10X 25	6							
3	1	26014-100452	BOLT, M10X 45	4							

# Fig.3. ENGINE CONTROL



(A)=YSRA1090  
(B)=  
(C)=

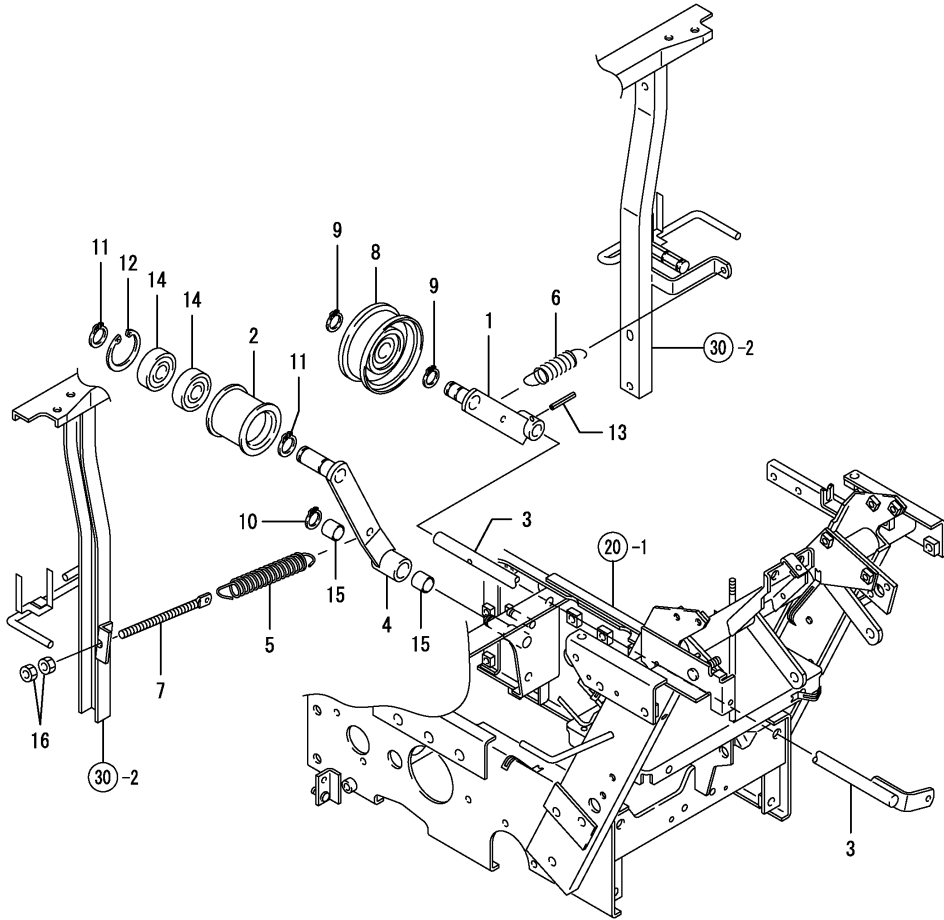
(D)=  
(E)=  
(F)=

No.	Lev.	Parts No.	Description	Q'ty						I	R
				(A)	(B)	(C)	(D)	(E)	(F)		
1	1	198273-01230	KNOB, LEVER	1							
2	1	1N3293-02500	LEVER, ACCEL	1							
3	1	1N3293-02700	WIRE ASSY, ACCEL	1							
4	1	1C6281-52310	PIN, SNAP 6	1							
5	1	1E6570-73201	WASHER, 10.5X28X3.2	3							
6	1	1E6390-95490	WASHER, SPRING	2							
7	1	22137-060000	WASHER, 6	1							
8	1	22272-000050	RING, E- 5	1							
9	1	26116-060354	BOLT, M6X 35 PLATED	1							
10	1	26717-060002	NUT, M6	1							
11	1	26717-100002	NUT, M10	2							

Fig.4. TRAVEL CLUTCH

(A)=YSRA1090  
(B)=  
(C)=

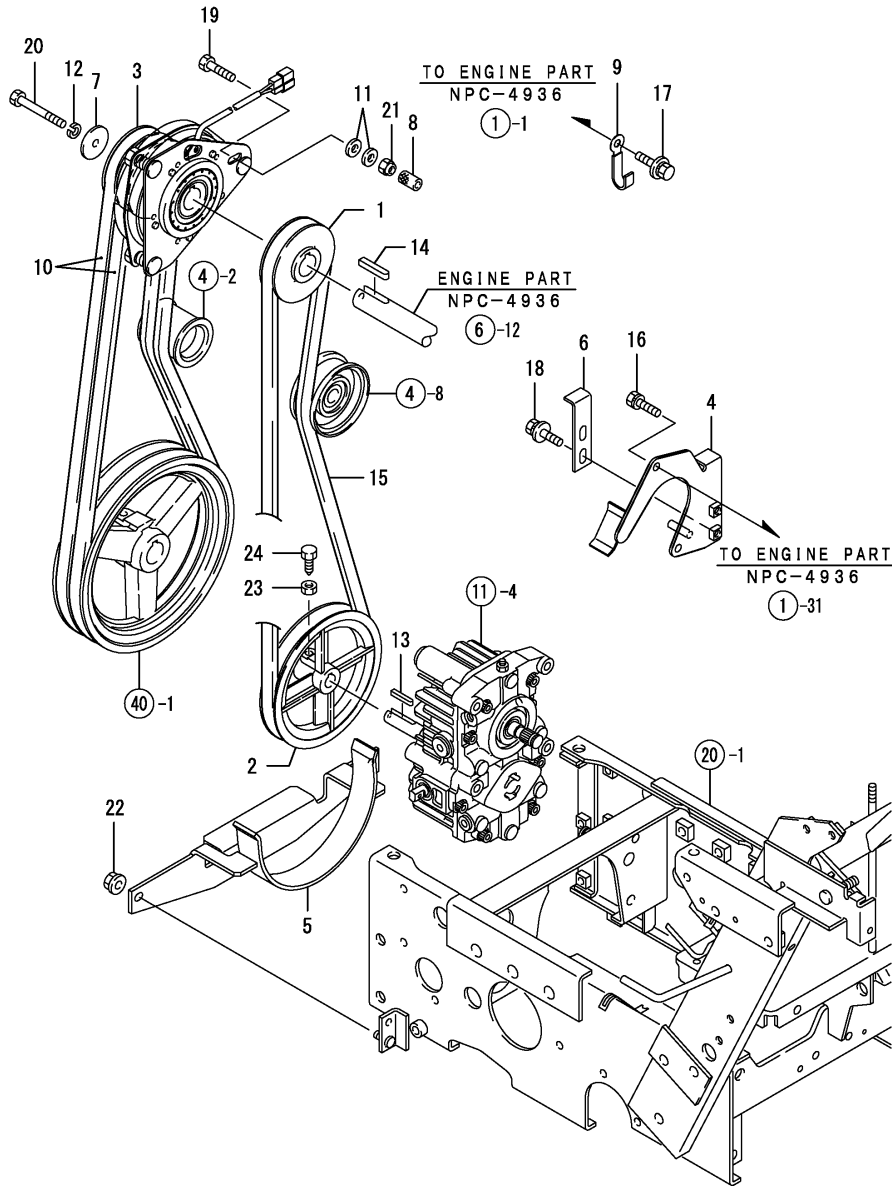
(D)=  
(E)=  
(F)=



No.	Lev.	Parts No.	Description	Q'ty						I	R
				(A)	(B)	(C)	(D)	(E)	(F)		
1	1	1N3293-11020	ARM, TENSION 108	1							
2	1	1N3293-11090	ROLLER, TENSION 50A	1							
3	1	1N3290-11221	SHAFT R CMP.,TENSION	1							
4	1	1N3293-11300	ARM, TENSION 150	1							
5	1	1N3281-11600	SPRING,TENSION S.R	1							
6	1	1N3281-11610	SPRING18X80	1							
7	1	1E6030-12840	SCREW, TENSION 8X122	1							
8	1	1E6090-34651-1	ROLLER, TENSION 75	1							
9	1	22242-000150	RING, 15	2							
10	1	22242-000150	RING, 15	1							
11	1	22242-000150	RING, 15	2							
12	1	22252-000421	CIRCLIP 42	1							
13	1	22351-050032	PIN, SPRING 5.0X32	1							
14	1	24104-063024	BEARING, BALL 6302UU	2							
15	1	24550-015150	BUSH, 15X15	2							
16	1	26717-080002	NUT, M8	2							



Fig.5. BELT TRANSMISSION



(A)=YSRA1090

(B)=

(C)=

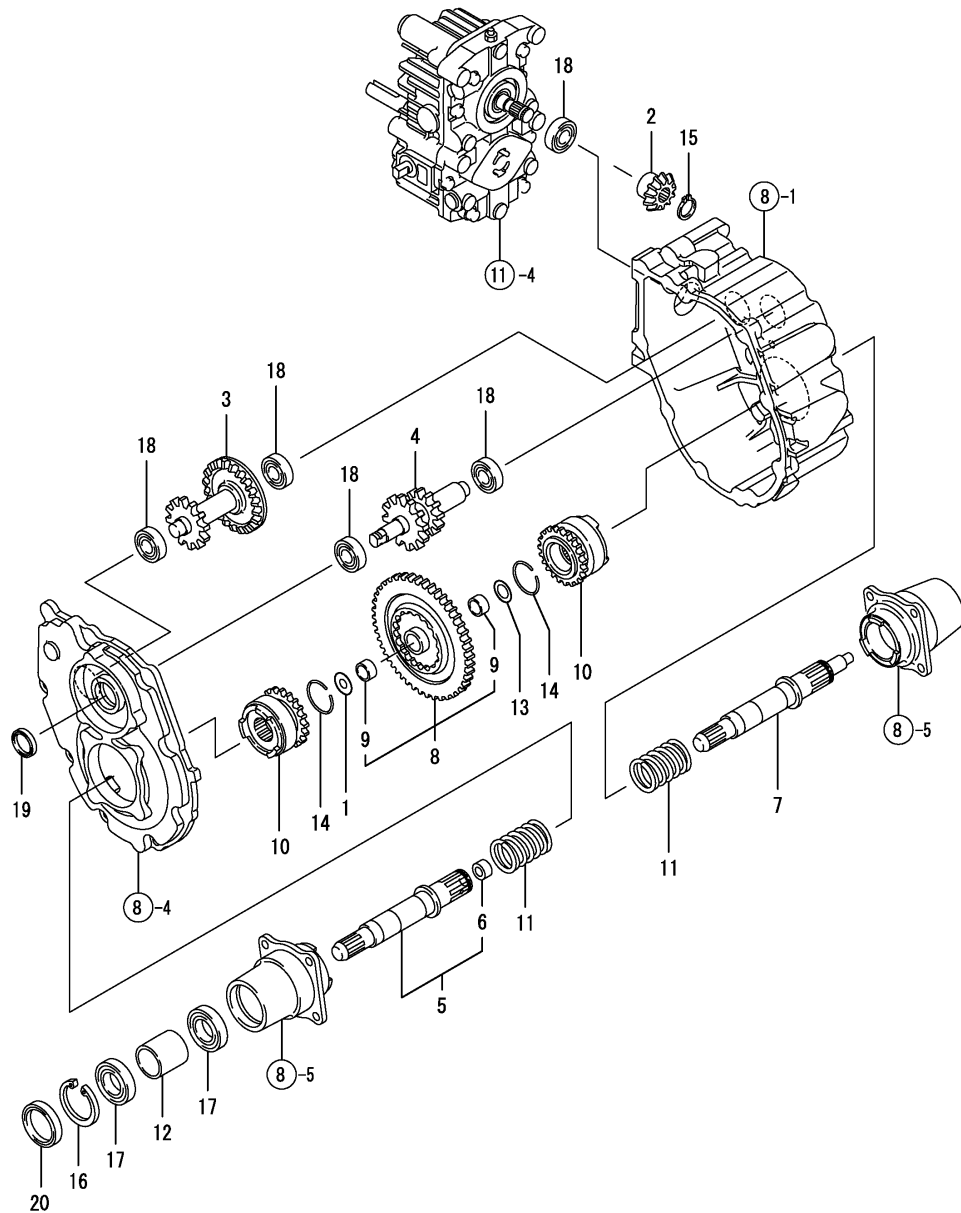
(D)=

(E)=

(F)=

No.	Lev.	Parts No.	Description	Qty						I	R
				(A)	(B)	(C)	(D)	(E)	(F)		
1	1	1N3293-12010	PULLEY 91-B1	1							
2	1	1N3700-12020	PULLEY,161-B1	1							
3	1	1N3293-12050	SOLENOID CLT	1							
4	1	1N3293-12251	RETAINER,	1							
5	1	1N3293-12350	BRACKET, BELT	1							
6	1	1N3293-12380	PLATE, LOCKING	1							
7	1	1N3281-12450	WASHER,8X38X3.2	1							
8	1	1N3281-12460	HOSE,22	1							
9	1	1N1710-32600	CLAMP 8X70	1							
10	1	1E8300-35060	V-BELT, LB41-AG8	2							
11	1	22137-080000	WASHER, 8	2							
12	1	22217-100000	WASHER, SPRING 10	1							
13	1	22551-050301	KEY 5X30	1							
14	1	22551-070350	KEY, 7X 35	1							
15	1	25123-004201	V-BELT, B42H	1							
16	1	26013-080202	BOLT, M8X 20	2							
17	1	26014-080162	BOLT, M8X 16	1							
18	1	26014-080202	BOLT, M8X 20	2							
19	1	26116-080354	BOLT, M8X 35 PLATED	1							
20	1	26116-080702	BOLT, M8X 70 PLATED	1							
21	1	26347-080002	NUT, M8	1							
22	1	26367-080002	NUT, M8	2							
23	1	26717-080002	NUT, M8	1							
24	1	26956-080252	BOLT, M8X 25	1							

Fig.6. TRAVEL TRANSMISSION



(A)=YSRA1090

(B)=

(C)=

(D)=

(E)=

(F)=

No.	Lev.	Parts No.	Description	Q'ty						I	R
				(A)	(B)	(C)	(D)	(E)	(F)		
1	1	1C6210-13340	COLLAR, 10X22X1	1							
2	1	1N3280-21011	GEAR 13,BEVEL	1							
3	1	1N3290-21100	SHAFT 1ST	1							
4	1	1N3290-21200	SHAFT COMPL.,2ND	1							
5	1	1N3290-21300	SHAFT 3RD	1							
6	2	24550-010120	BUSH, 10X12	1							
7	1	1N3290-21320	SHAFT 3RD	1							
8	1	1N3280-21330	GEAR 43	1							
9	2	1N1730-21260	METAL 15X17X10	2							
10	1	1N3280-21361	GEAR 20B	2							
11	1	1N3280-21401	SPRING	2							
12	1	1N3290-21410	COLLAR	2							
13	1	1E4130-74010	LINER 15.2X24X1	1							
14	1	22207-025230	RING, 25X2.3	2							
15	1	22242-000150	RING, 15	1							
16	1	22252-000471	RING, 47	2							
17	1	24101-060054	BEARING, BALL 6005	4							
18	1	24101-062024	BEARING, BALL 6202	5							
19	1	24421-153007	SEAL TC15 30 07, OIL	1							
20	1	24421-254708	SEAL, OIL TC254708	2							

Fig.7. BRAKE

(A)=YSRA1090  
(B)=  
(C)=

(D)=  
(E)=  
(F)=

No.	Lev.	Parts No.	Description	Q'ty						I	R
				(A)	(B)	(C)	(D)	(E)	(F)		
1	1	1N3280-22050	COVER W/DRUM,BRAKE	1							
2	2	1N3280-22100	COVER COMP.BRAKE	1							
3	2	1A1030-26250	DRUM, BRAKE	1							
4	2	1A1040-26290	SPRING, BRAKE SHOE	1							
5	2	1E8350-52220	SHOE, BRAKE	2							
6	2	1E8350-52270	GASKET, COVER	1							
7	1	22242-000140	RING, 14	1							
8	1	26022-060162	SCREW, M6X16	3							

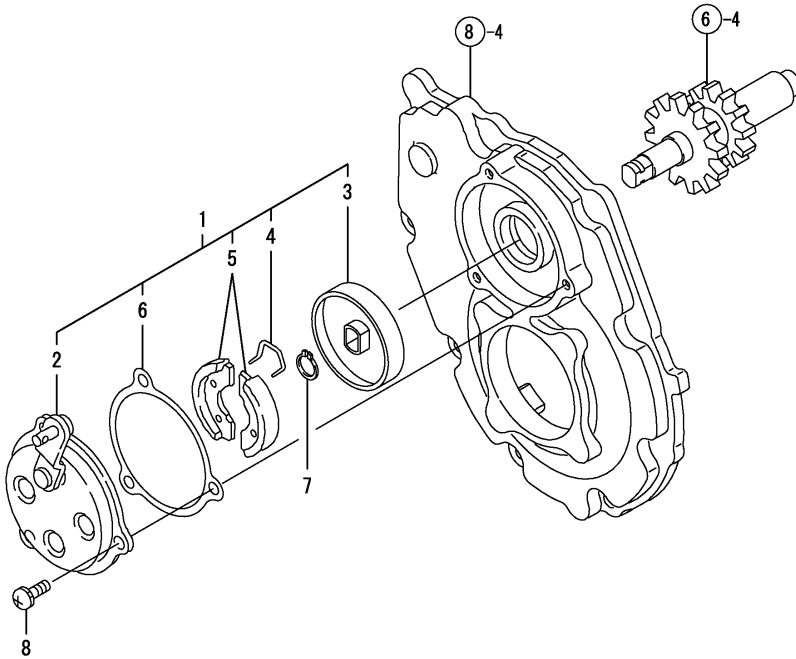


Fig.8. TRANSMISSION CASE

(A)=YSRA1090  
(B)=  
(C)=

(D)=  
(E)=  
(F)=

No.	Lev.	Parts No.	Description	Q'ty						I	R
				(A)	(B)	(C)	(D)	(E)	(F)		
1	1	1N3280-23011	HOUSING, TRANSMISSION	1							
2	2	1A1040-26060	PIN, 8X28	2							
3	2	26226-080402	STUD, M8X 40	2							
4	1	1N3280-23051	COVER, TRANSM. CASE	1							
5	1	1N3290-23211-1	CASE, 3RD SHAFT	2							
6	1	1N3280-23220	PACKING, CASE	2							
7	1	1E6071-53360	COVER 35, OILING	1							
8	1	23414-080000	GASKET, 8X1.0	1							
9	1	23490-100002	PLUG, 10	1							
10	1	26013-080252	BOLT, M8X 25	8							
11	1	26013-080252	BOLT, M8X 25	9							
12	1	26106-080122	BOLT, M8X 12 PLATED	1							
13	1	27260-150000	PLUG, 15	1							

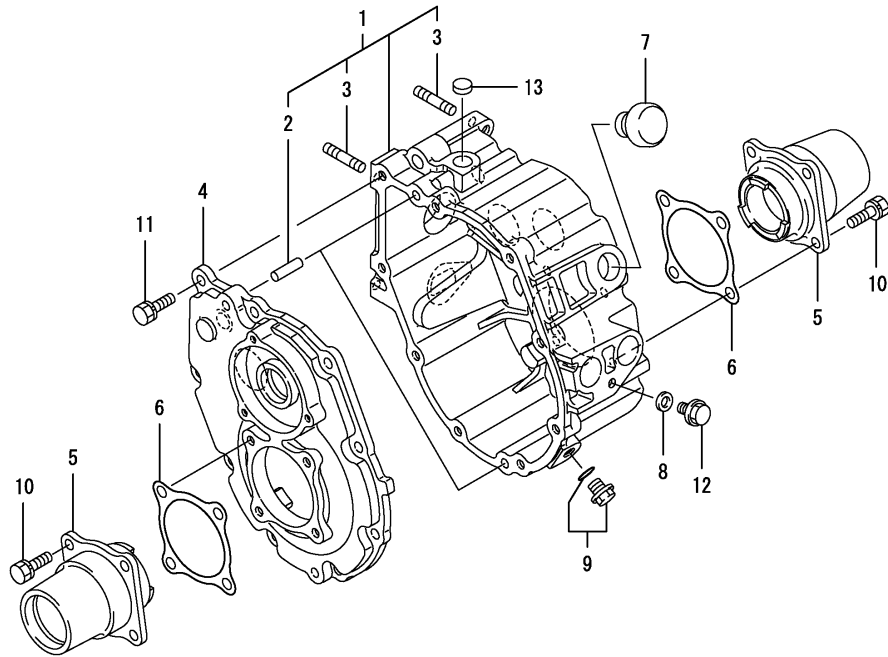


Fig.9. AXLE CASE

(A)=YSRA1090

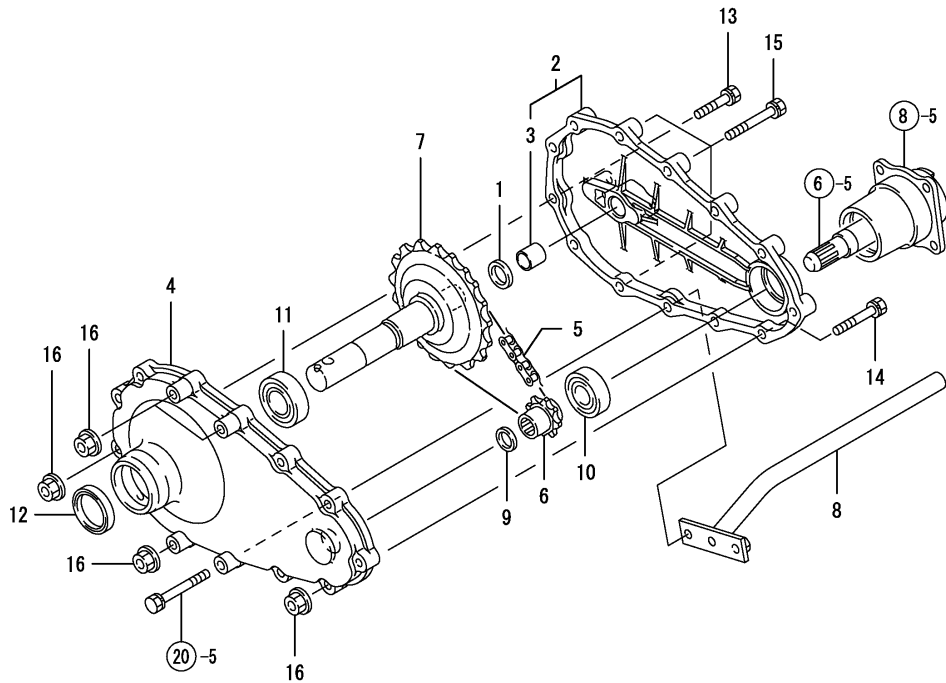
(B)=

(C)=

(D)=

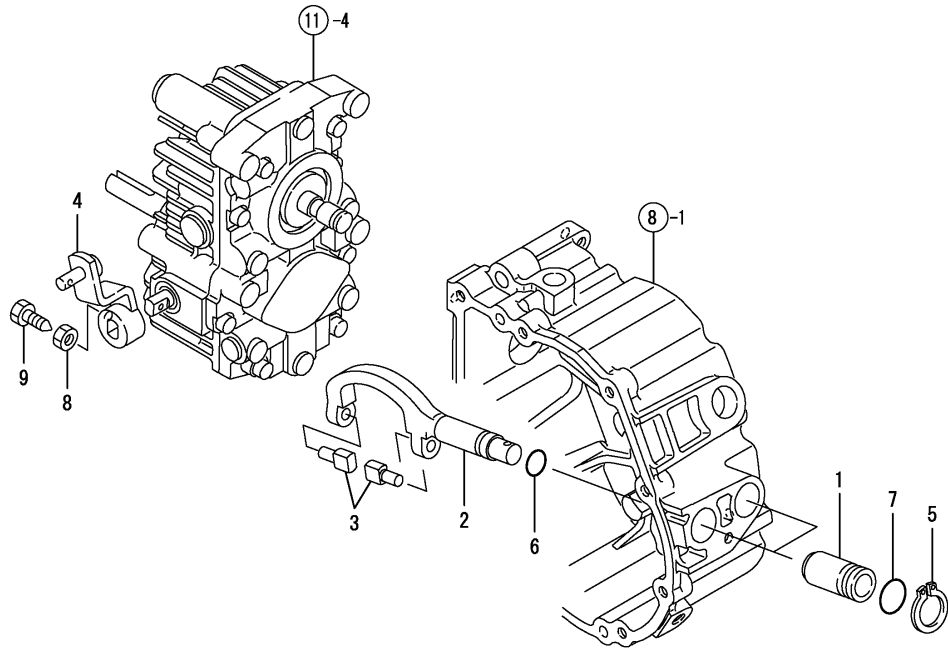
(E)=

(F)=



No.	Lev.	Parts No.	Description	Q'ty						I	R
				(A)	(B)	(C)	(D)	(E)	(F)		
1	1	192010-24160	LINER, SHAFT 20	2							
2	1	1N3280-25000	COVER COMP.,AXLE CS.	2							
3	2	24550-020200	BUSH, 20X20	2							
4	1	1N1730-25112	CASE,AXLE	2							
5	1	1N3280-25120	CHAIN 40X52L	2							
6	1	1N1730-25210	SPROCKET 9	2							
7	1	1N1730-25540	AXLE COMPL.	2							
8	1	1N3290-25810-1	PIPE,CONNECTING	1							
9	1	1E4060-74090	LINER 17X24X1	2							
10	1	24104-062044	BEARING, BALL 6204UU	2							
11	1	24104-062054	BEARING, BALL 6205UU	2							
12	1	24421-254708	SEAL, OIL TC254708	2							
13	1	26013-080402	BOLT, M8X 40	2							
14	1	26013-080502	BOLT, M8X 50	4							
15	1	26013-080602	BOLT, M8X 60	6							
16	1	26367-080002	NUT, M8	12							

Fig.10. CHANGE

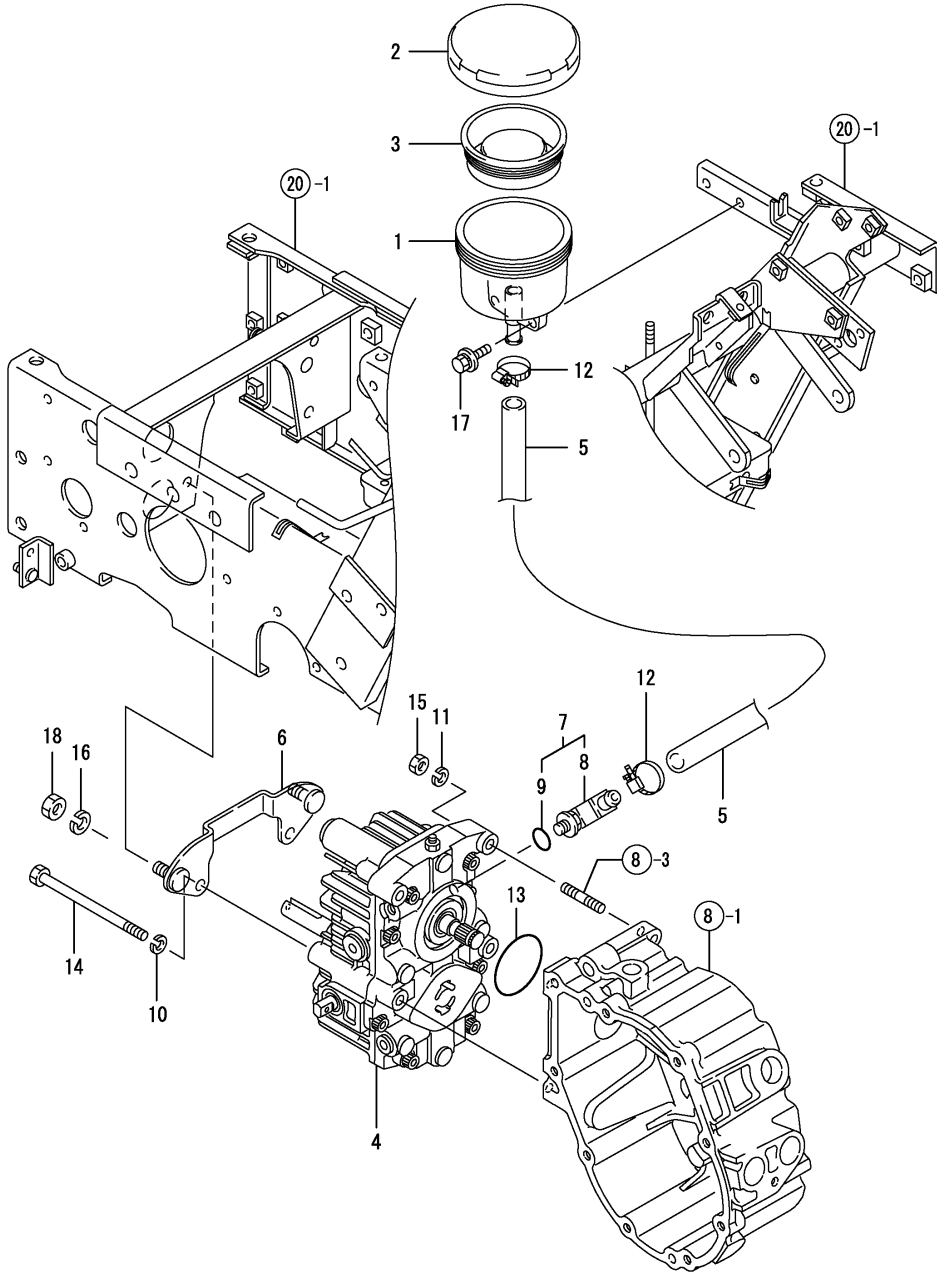


(A)=YSRA1090  
(B)=  
(C)=

(D)=  
(E)=  
(F)=

No.	Lev.	Parts No.	Description	Q'ty						I	R
				(A)	(B)	(C)	(D)	(E)	(F)		
1	1	1N3280-26200	BUSH,SIDE CLUTCH	2							
2	1	1N3280-26220	FORK, CLUTCH	2							
3	1	1N3280-26230	ROLLER,FORK	4							
4	1	1N3280-26301	LVER.TIP.CHANGE.MAIN	1							
5	1	22242-000250	RING, 25	2							
6	1	24311-000120	O-RING, 1AP12.0	2							
7	1	24311-000210	O-RING, 1AP21.0	2							
8	1	26717-080002	NUT, M8	1							
9	1	26956-080202	BOLT, M8X 20	1							

Fig.11. HST



(A)=YSRA1090  
(B)=  
(C)=

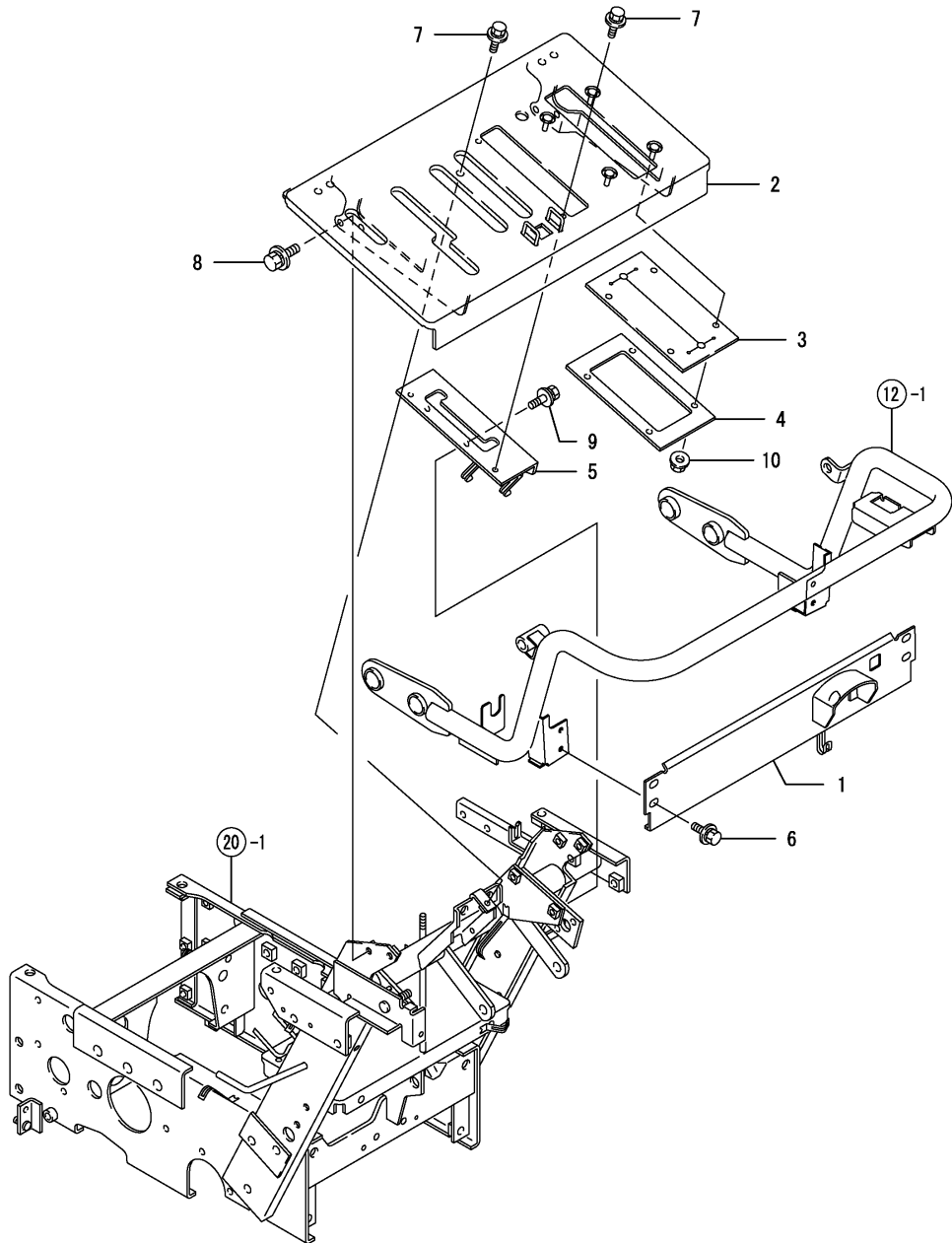
(D)=  
(E)=  
(F)=

No.	Lev.	Parts No.	Description	Q'ty						I	R
				(A)	(B)	(C)	(D)	(E)	(F)		
1	1	1N3021-23051	SUB TANK	1							
2	1	1N3021-23060	CAP, SUB-TANK	1							
3	1	1N3021-23070	DIAPHRAGM,SUB-TANK	1							
4	1	1N3280-28010	TRANSMISSION,HYDROST	1							
5	1	1N3280-28030	HOSE 8-555	1							
6	1	1N3280-28510-1	BRACKET, HST	1							
7	1	1E8490-54060	NIPPLE ASSY, HOSE B	1							
8	2	1E8490-54070	NIPPLE, HOSE B	1							
9	2	933152-07400	O-RING	1							
10	1	22217-080000	WASHER, SPRING 8	2							
11	1	22217-080000	WASHER, SPRING 8	2							
12	1	23000-025000	CLAMP, 25	2							
13	1	24321-000550	O-RING, 1AG55.0	1							
14	1	26116-081202	BOLT, M8X120 PLATED	2							
15	1	26717-080002	NUT, M8	2							
16	1	22217-100000	WASHER, SPRING 10	2							
17	1	26014-080252	BOLT, M8X 25	2							
18	1	26717-100002	NUT, M10	2							





Fig.13. CONTROL PANEL

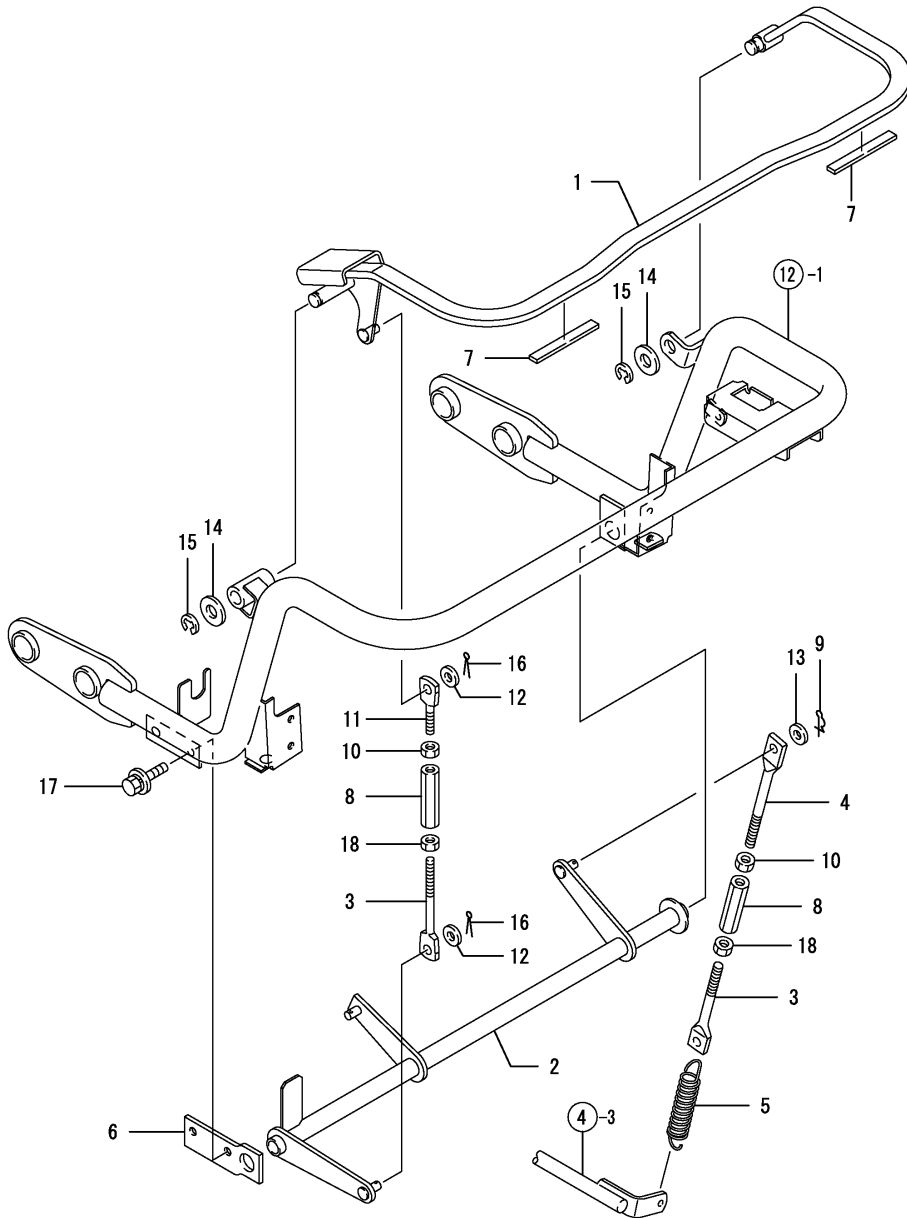


(A)=YSRA1090  
(B)=  
(C)=

(D)=  
(E)=  
(F)=

No.	Lev.	Parts No.	Description	Q'ty						I	R
				(A)	(B)	(C)	(D)	(E)	(F)		
1	1	1N3281-30470	COVER,PANEL REAR LH	1							
2	1	7N3940-30500	PANEL, CONTROL PL	1							
3	1	1N3290-30700	RUBBER,PANEL	1							
4	1	1N3290-30711-1	RETAINER,RUBBER	1							
5	1	1N3291-30750	LATCH,LIFT	1							
6	1	1N3280-30901	BOLT 6X160(BLACK)	4							
7	1	1N3280-30901	BOLT 6X160(BLACK)	3							
8	1	26014-080162	BOLT, M8X 16	4							
9	1	26014-080202	BOLT, M8X 20	2							
10	1	26367-060002	NUT, M6	4							

Fig.14. DRIVE CLUCH



(A)=YSRA1090

(B)=

(C)=

(D)=

(E)=

(F)=

No.	Lev.	Parts No.	Description	Q'ty						I	R
				(A)	(B)	(C)	(D)	(E)	(F)		
1	1	1N3281-31000-1	LEVER,CLUTCH TRAVEL	1							
2	1	1N3291-31130	ARM,TRAVEL CLT.CMP	1							
3	1	1N3280-31210	ROD 8X120	2							
4	1	1N3280-31220	ROD 8X140L	1							
5	1	1N3281-31220	SPRING,20X80	1							
5-1	1	1N3940-31220	SPRING, 20X90	1							R
(A=FZZZZZ)											
6	1	1N3280-31251	PLATE.FLCRM.CLTCHARM	1							
7	1	1N3281-31290	SEAL 10X4X80	2							
8	1	1N3280-31990	ADJUST NUT 8(LR-B)	2							
9	1	1C6281-52320	PIN, SNAP 8	1							
10	1	1E6460-63240	NUT, M8 L	2							
11	1	1E8490-64261	SCREW, M8X41.5L	1							
12	1	22137-080000	WASHER, 8	2							
13	1	22137-080000	WASHER, 8	1							
14	1	22137-130000	WASHER, 13	2							
15	1	22272-000100	RING, E-10	2							
16	1	22417-200200	PIN, COTTER 2.0X20	2							
17	1	26014-080202	BOLT, M8X 20	2							
18	1	26717-080002	NUT, M8	2							

Fig.15. SIDE CLUCH

(A)=YSRA1090

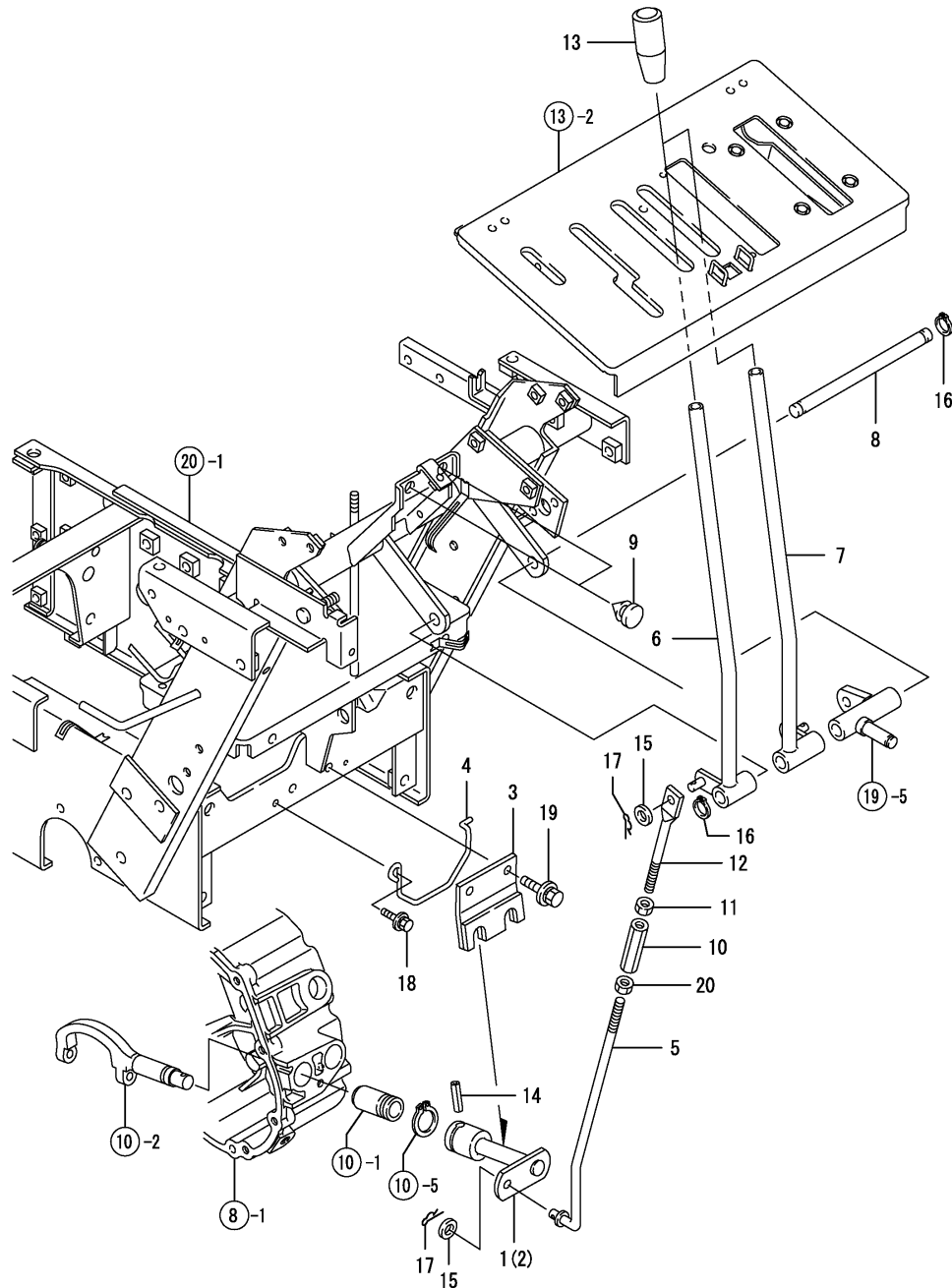
(B)=

(C)=

(D)=

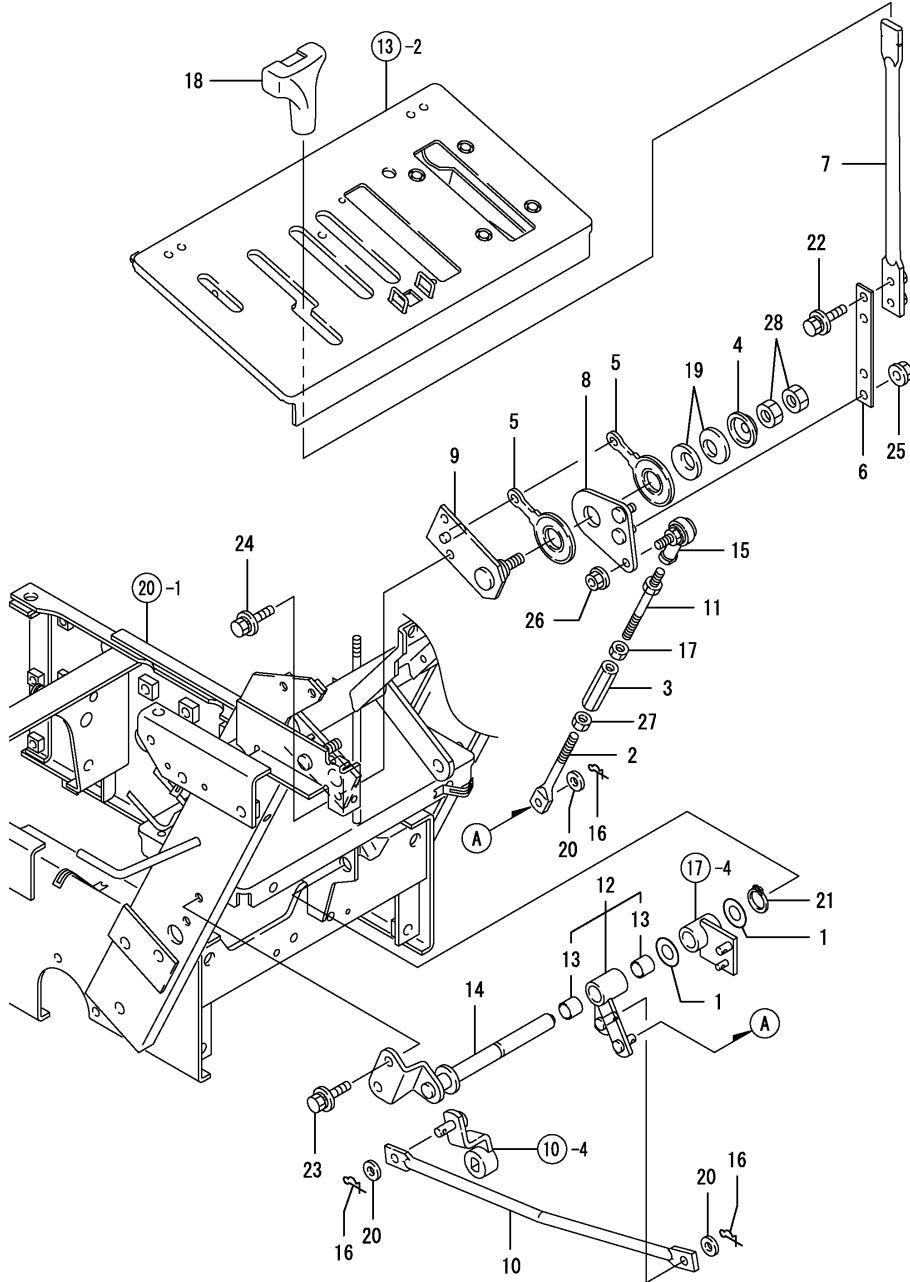
(E)=

(F)=



No.	Lev.	Parts No.	Description	Q'ty						I	R
				(A)	(B)	(C)	(D)	(E)	(F)		
1	1	1N3280-31500	ARM (L), CLUTCH	1							
2	1	1N3280-31550	ARM R,SIDE CLUTCH	1							
3	1	1N3280-31570-1	BRACKET	1							
4	1	1N3280-31600	BRACKET,CLTCH.ARM.LW	1							
5	1	1N3280-31651	ROD,SIDE CLUTCH	2							
6	1	1N3290-31701	LEVER L,SIDE CLUTCH	1							
7	1	1N3290-31751	SIDE CLUTCH LEVER R	1							
8	1	1N1730-31870	SHAFT,FULCRUM	1							
9	1	1E6150-61310	RUBBER, STOPPER	2							
10	1	1E8400-63791	NUT, ADJUST 10	2							
11	1	1E8400-63820	NUT, M10 L	2							
12	1	1E8600-64220	ROD, RETURN A	2							
13	1	1E9350-64760	GRIP, LEVER 12	2							
14	1	1E4060-99331	PIN F 5X25, SLOTTED	2							
15	1	22137-100000	WASHER, 10	4							
16	1	22242-000130	RING, 13	2							
17	1	22372-100000	PIN, SNAP 10	4							
18	1	26014-060162	BOLT, M6X 16	1							
19	1	26014-080202	BOLT, M8X 20	2							
20	1	26717-100002	NUT, M10	2							

Fig.16. MAIN CHANGE



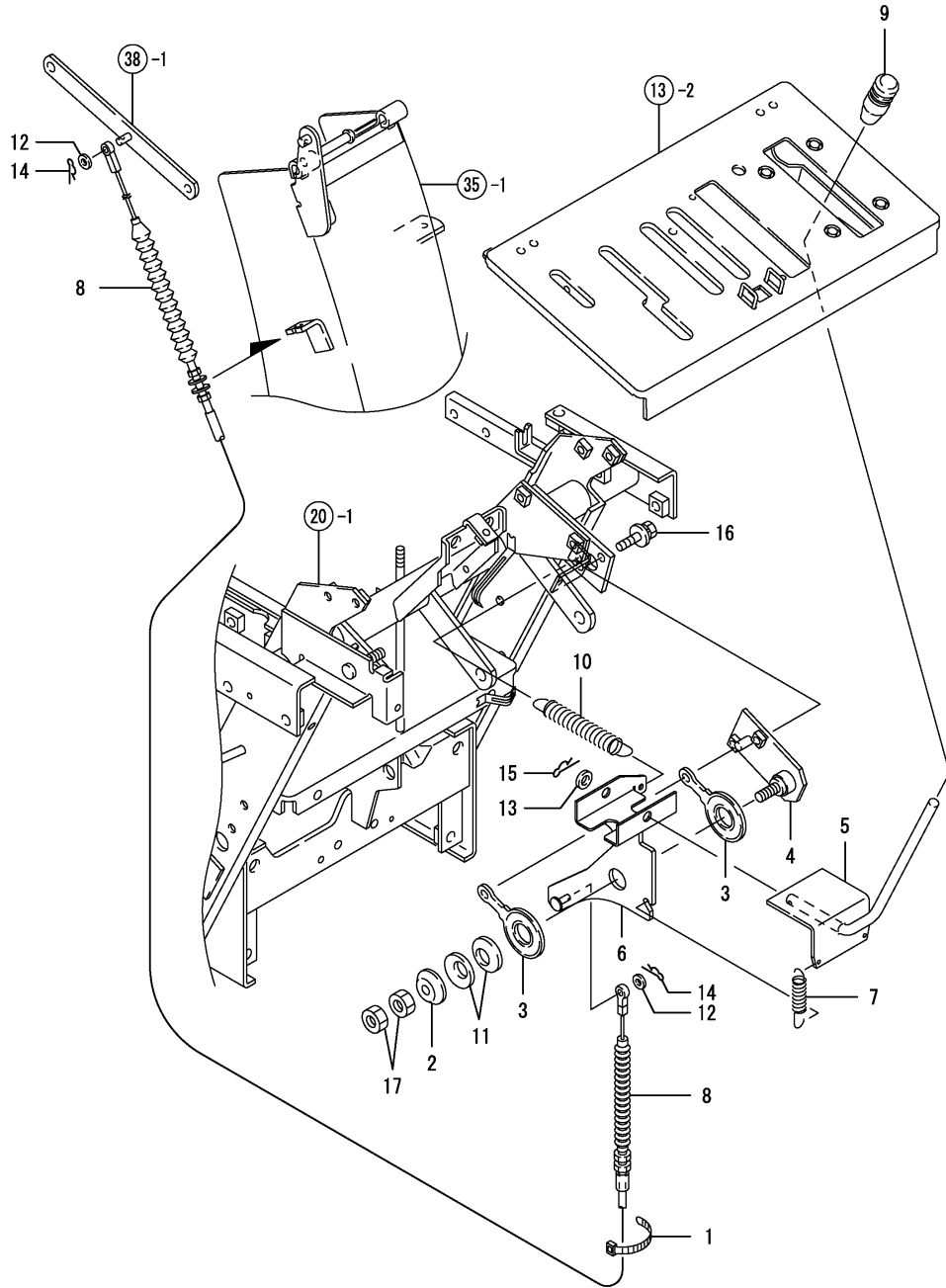
(A)=YSRA1090  
(B)=  
(C)=

(D)=  
(E)=  
(F)=

No.	Lev.	Parts No.	Description	Qty						I	R
				(A)	(B)	(C)	(D)	(E)	(F)		
1	1	1E4110-24010	LINER, 15	2							
2	1	1N3280-31210	ROD 8X120	1							
3	1	1N3280-31990	ADJUST NUT 8(LR-B)	1							
4	1	1N3280-32050	RETNR.SPRING BLLVLL	1							
5	1	1N3280-32062	RETAINER, SPRING	2							
6	1	1N3280-32081	SPRING LEVER	1							
7	1	1N3293-32100	LEVER, CHANGE	1							
8	1	1N3290-32120	LEVER,MAIN CHANGE	1							
9	1	1N3290-32170	PLATE,MAIN CHANGE	1							
10	1	1N3280-32210	ROD.MAIN TRNSMS.FRNT	1							
11	1	1N3280-32230	ROD MAIN TRNSMS REAR	1							
12	1	1N3290-32250	LINK,MAIN CHANGE	1							
13	2	24550-015150	BUSH, 15X15	2							
14	1	1N3290-32451	FULCRUM,MAIN CHANGE	1							
15	1	172122-46590	ELBOW	1							
16	1	1C6281-52320	PIN, SNAP 8	3							
17	1	1E6460-63240	NUT, M8 L	1							
18	1	1E9170-64750	GRIP, LEVER 13	1							
19	1	1E8490-74700	SPRING, 18X1.2	2							
20	1	22137-080000	WASHER, 8	3							
21	1	22242-000150	RING, 15	1							
22	1	26014-080202	BOLT, M8X 20	2							
23	1	26014-080202	BOLT, M8X 20	2							
24	1	26014-080252	BOLT, M8X 25	2							
25	1	26367-080002	NUT, M8	2							
26	1	26367-080002	NUT, M8	1							
27	1	26717-080002	NUT, M8	1							
28	1	26717-100002	NUT, M10	2							



Fig.18. SHOOTER LEVER

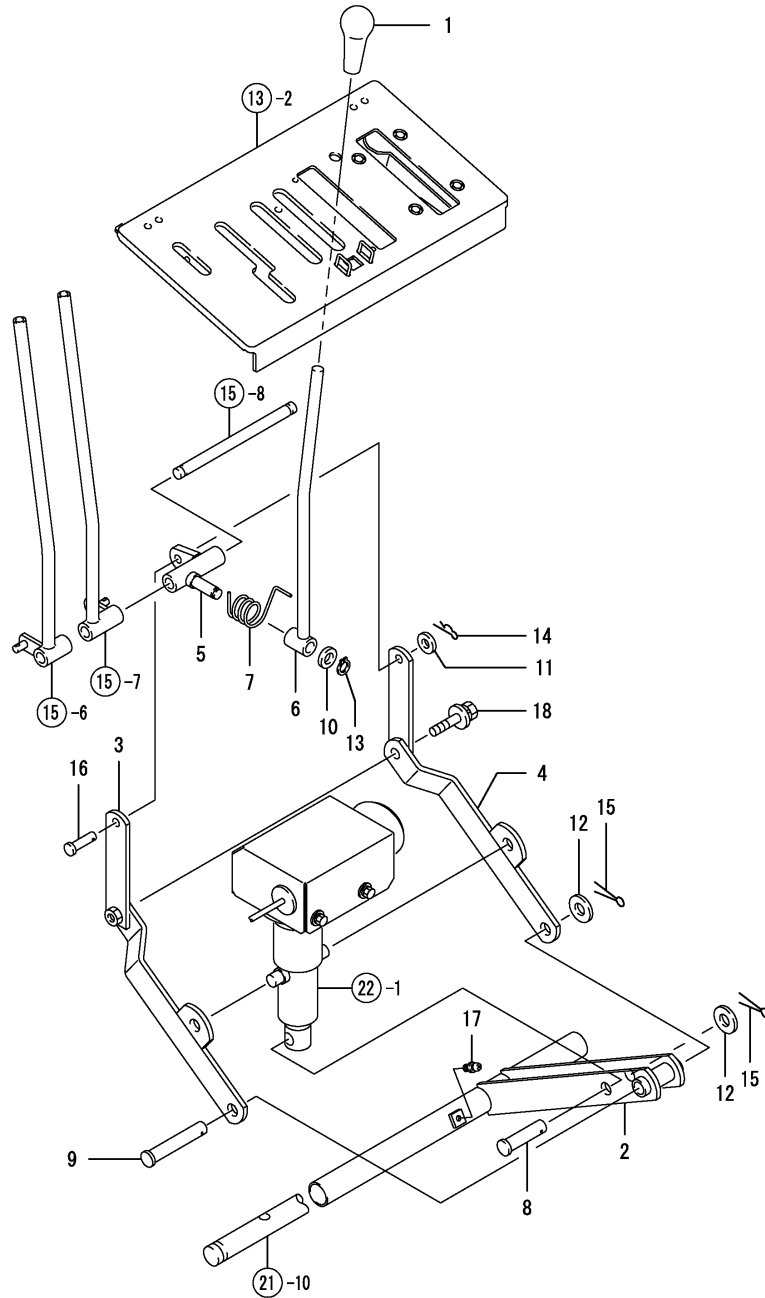


(A)=YSRA1090  
(B)=  
(C)=

(D)=  
(E)=  
(F)=

No.	Lev.	Parts No.	Description	Qty						I	R
				(A)	(B)	(C)	(D)	(E)	(F)		
1	1	1J3999-07000	BAND 100B	1							
2	1	1N3280-32050	RETNR.SPRING BLLVLL	1							
3	1	1N3280-32062	RETAINER, SPRING	2							
4	1	1N3290-32170	PLATE,MAIN CHANGE	1							
5	1	1N3290-34110	LEVER COMP.,SHOOTER	1							
6	1	1N3293-34150	BRACKET,	1							
7	1	1N3290-34191	SPRING,SHOOTER LEVER	2							
8	1	1N3293-34230	WIRE, DEFLECTOR	1							
9	1	1E6570-65751	GRIP, LEVER	1							
10	1	1N3280-73470	SPRIG.CHUTE	1							
11	1	1E8490-74700	SPRING, 18X1.2	2							
12	1	22137-060000	WASHER, 6	2							
13	1	22137-100000	WASHER, 10	1							
14	1	22372-060000	PIN, SNAP 6	2							
15	1	22372-100000	PIN, SNAP 10	1							
16	1	26014-080252	BOLT, M8X 25	2							
17	1	26717-100002	NUT, M10	2							

Fig.19. SNOW REMOVING UNIT CONTROL



(A)=YSRA1090

(B)=

(C)=

(D)=

(E)=

(F)=

No.	Lev.	Parts No.	Description	Q'ty						I	R
				(A)	(B)	(C)	(D)	(E)	(F)		
1	1	1E4060-26430	GRIP, LEVER	1							
2	1	1N3293-35110	LINK, LOWER ASY	1							
3	1	1N3291-35150	LINK, UPPER ASY (L)	1							
4	1	1N3291-35180	UPPERLINK, R ASY	1							
5	1	1N3291-35310	ARM, LIFT UP ASY	1							
6	1	1N3291-35360	LEVER, LIFT	1							
7	1	1N1730-35392	SPRING LFT. LVR. RETRN	1							
8	1	1N3291-42410	PIN, 15X50	1							
9	1	1N3293-42420		1							
10	1	1A1030-77050	WASHER, CLAMP BOLT	1							
11	1	22137-100000	WASHER, 10	1							
12	1	22137-140000	WASHER, 14	2							
13	1	22242-000120	RING, 12	1							
14	1	22372-100000	PIN, SNAP 10	1							
15	1	22417-250250	PIN, COTTER 2.5X25	2							
16	1	22487-100300	PIN, H10X 30	1							
17	1	24761-060000	NIPPLE, GREASE MT6X1	1							
18	1	26014-100402	BOLT, M10X 40	1							

Fig.20. SHASSIS

(A)=YSRA1090

(B)=

(C)=

(D)=

(E)=

(F)=

No.	Lev.	Parts No.	Description	Q'ty						I	R
				(A)	(B)	(C)	(D)	(E)	(F)		
1	1	1N3293-36010	CHASSIS CMP	1							
2	1	1N3280-36711	RUBBER	1							
3	1	1N3280-36950-1	STAY,SHASSIS	1							
4	1	26013-080502	BOLT, M8X 50	12							
5	1	26013-080652	BOLT, M8X 65	2							
6	1	26014-100252	BOLT, M10X 25	2							

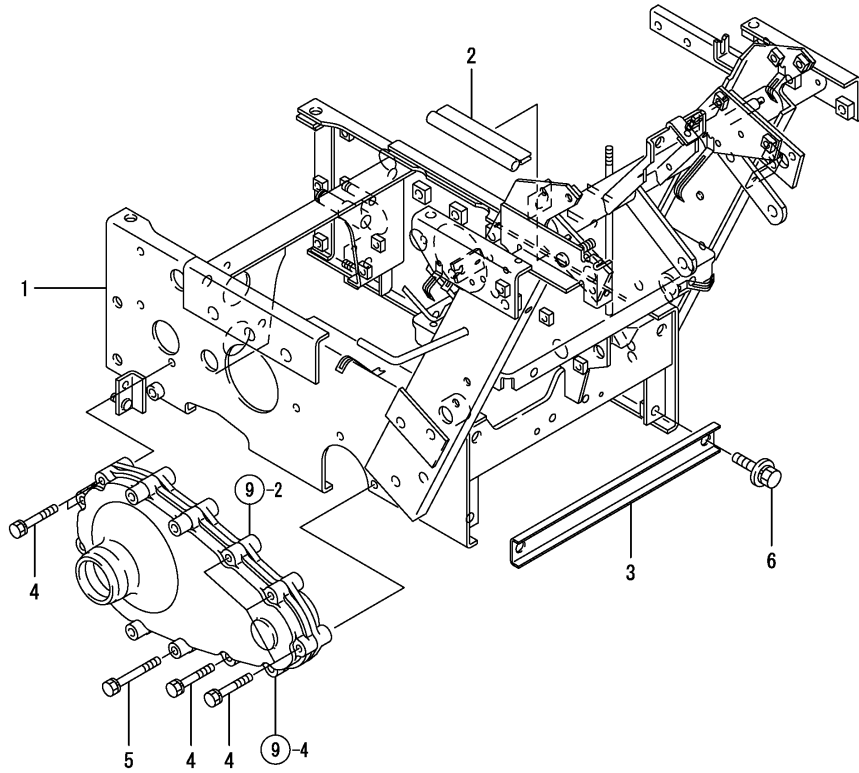




Fig.21. CRAWLER

(A)=YSRA1090

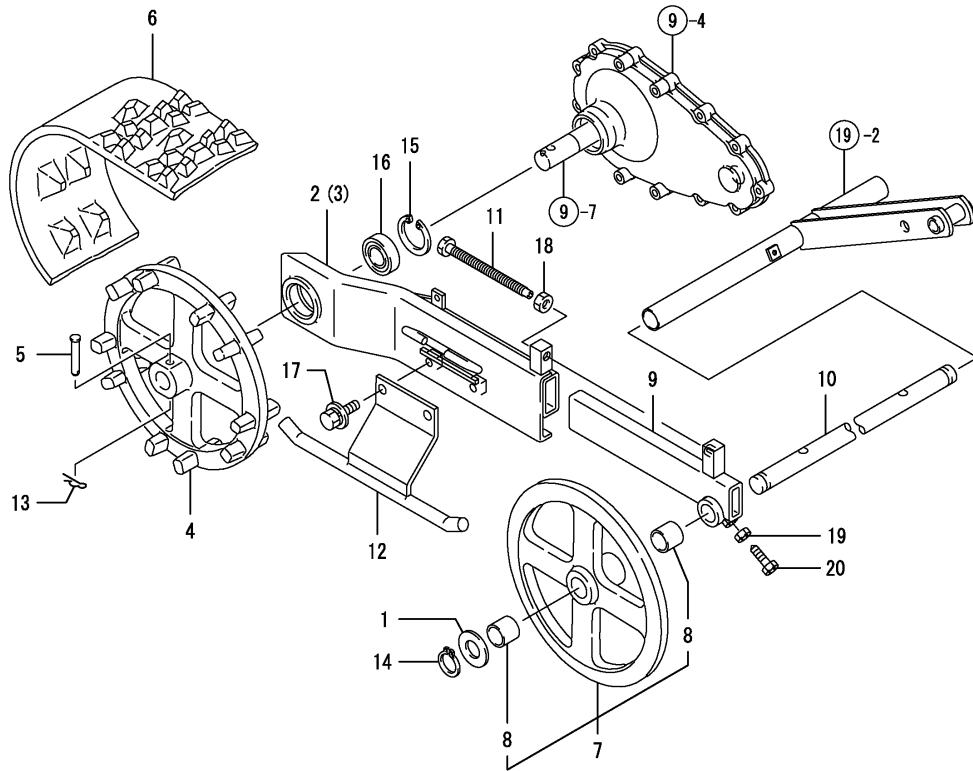
(B)=

(C)=

(D)=

(E)=

(F)=



No.	Lev.	Parts No.	Description	Q'ty						I	R
				(A)	(B)	(C)	(D)	(E)	(F)		
1	1	192110-24031	LINER, SHAFT 25	2							
2	1	1N3290-38010	FRAME L,TRACK	1							
3	1	1N3290-38150-1	FRAME R,TRACK	1							
4	1	1N1730-38183-1	SPROCKET, 15	2							
5	1	1N3281-38190	PIN10X49	2							
6	1	1N3280-38210	CRAWLER 180X60X31	2							
7	1	1N1730-38250-1	IDLER ASSY, 0 2 8	2							
8	2	24550-025250	BUSH, 25X25	4							
9	1	1N1730-38290-1	FRAME,IDLER SHAFT	2							
10	1	1N3290-38320	SHAFT,IDLER	1							
11	1	1N1730-38351	BOLT, TENSION	2							
12	1	1N3280-38510-1	GUIDE ASSY, CRAWLER	2							
13	1	1C6360-65700	PIN, SNAP 10	2							
14	1	22242-000250	RING, 25	2							
15	1	22252-000520	RING, 52	2							
16	1	24104-062054	BEARING, BALL 6205UU	2							
17	1	26014-100252	BOLT, M10X 25	4							
18	1	26707-120002	NUT, M12	2							
19	1	26717-100002	NUT, M10	2							
20	1	26956-100352	BOLT, M10X 35	2							

Fig.22. CYLINDER,MOTOR

(A)=YSRA1090

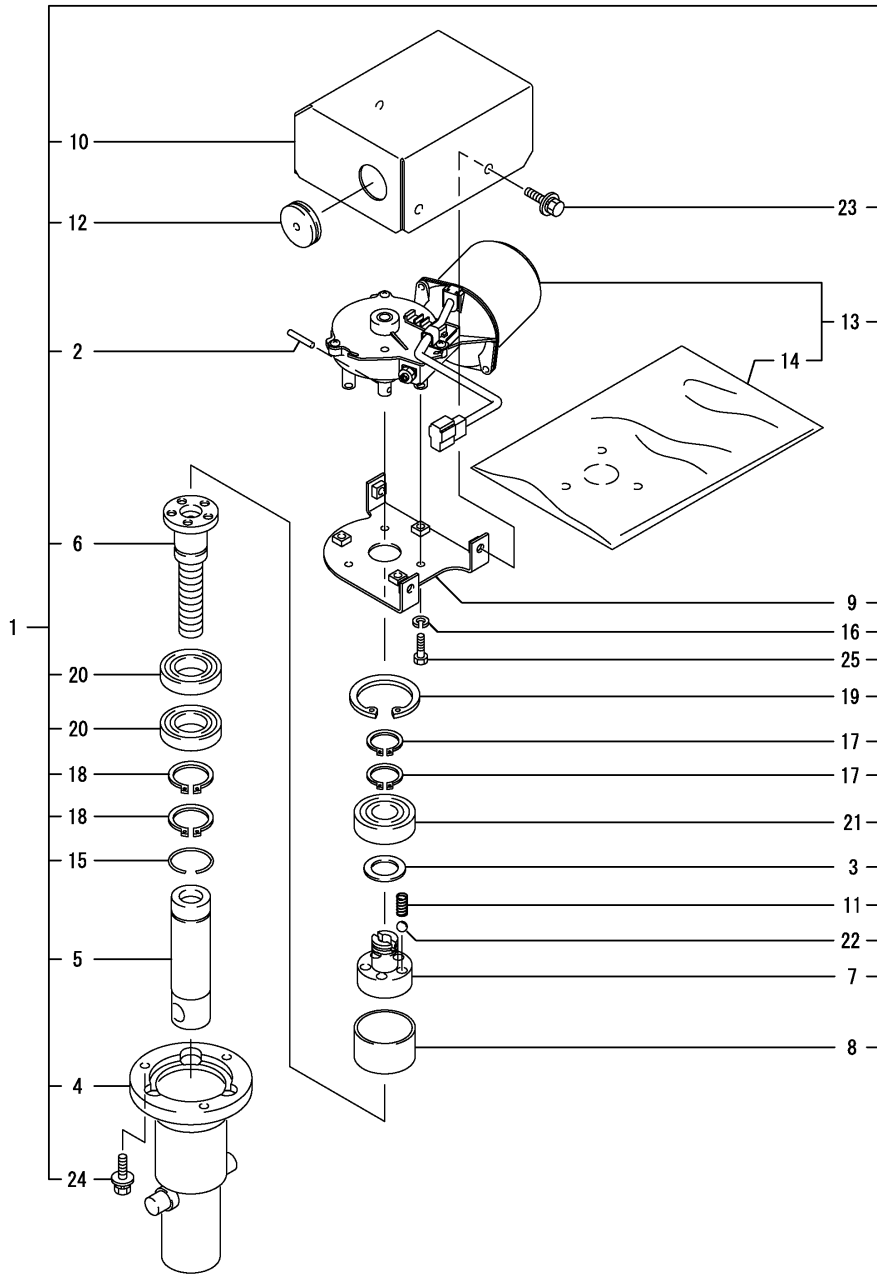
(B)=

(C)=

(D)=

(E)=

(F)=



No.	Lev.	Parts No.	Description	Q'ty						I	R
				(A)	(B)	(C)	(D)	(E)	(F)		
1	1	1N3291-42101	CYLINDER, MOTOR	1							
2	2	1D4220-22070	PIN, MOTOR	1							
3	2	192010-24160	LINER, SHAFT 20	1							
4	2	1N3291-42110	BODY(CYLINDER	1							
5	2	1N3291-42170	NUT,SLIDE	1							
6	2	1N3291-42211	SHAFT,DRIVE ASY	1							
7	2	1N3291-42252	HOUSING,LIMITER	1							
8	2	1N3291-42270	RETAINER,BEARING	1							
9	2	1N3291-42310	BRACKET,MOTOR	1							
10	2	1N3291-42350	COVER,MOTOR	1							
11	2	1E6150-56040	SPRING, FORK	5							
12	2	1E6910-83500	GROMMET, 30	1							
13	2	1E8080-86300	MOTOR, DC 70	1							
14	3	1E8080-86310	COVER, MOTOR	1							
15	2	22207-030230	RING, 30X2.3	1							
16	2	22217-050000	WASHER, SPRING 5	3							
17	2	22242-000200	RING, 20	2							
18	2	22242-000250	RING, 25	2							
19	2	22252-000471	RING, 47	1							
20	2	24104-060054	BEARING, BALL 6005UU	2							
21	2	24104-062044	BEARING, BALL 6204UU	1							
22	2	24190-100001	BALL, STEEL 5/16	5							
23	2	26014-060162	BOLT, M6X 16	3							
24	2	26014-060252	BOLT, M6X 25	3							
25	2	26116-050162	BOLT, M5X 16 PLATED	3							

Fig.23. HARNESS

(A)=YSRA1090

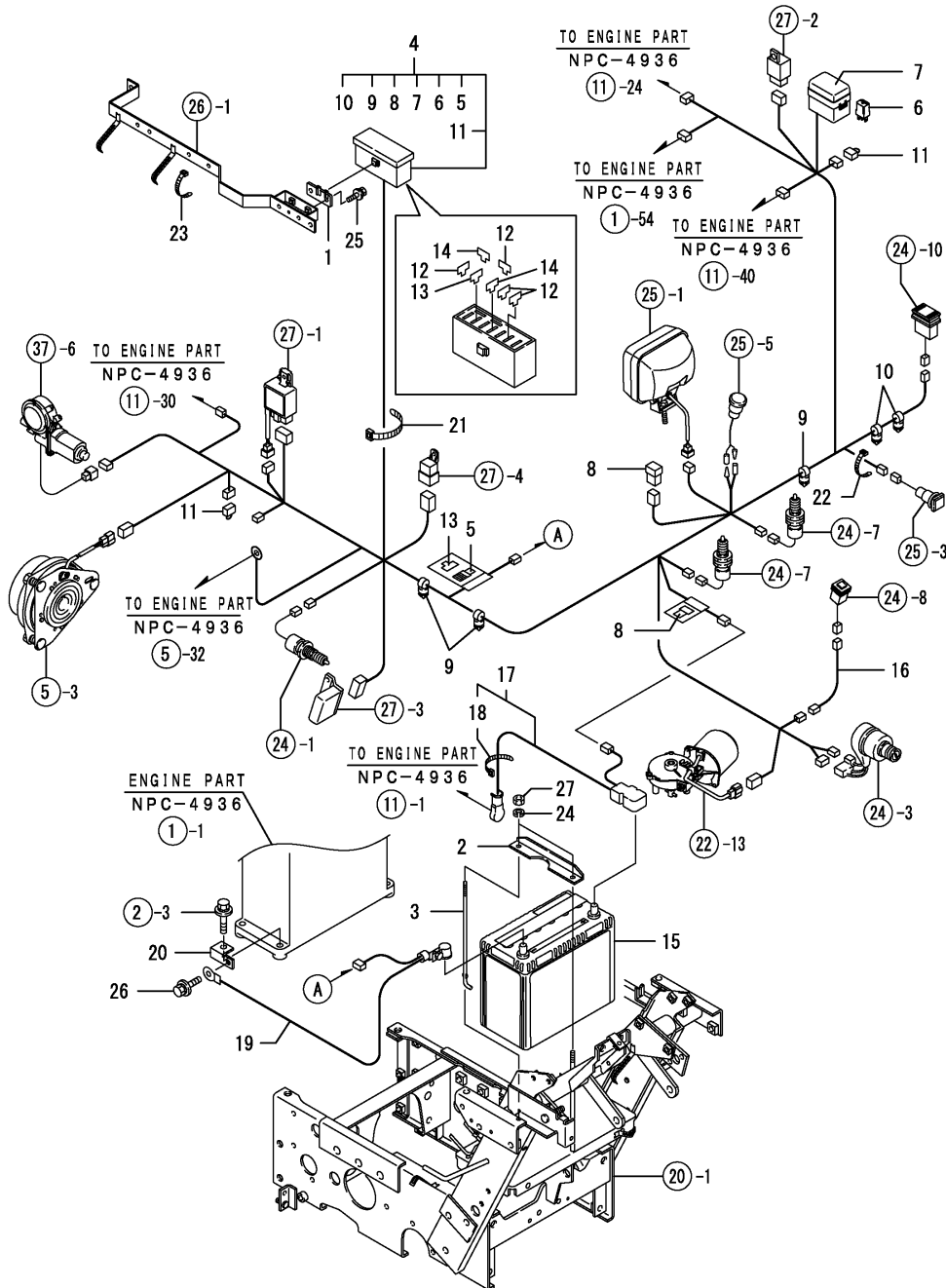
(B)=

(C)=

(D)=

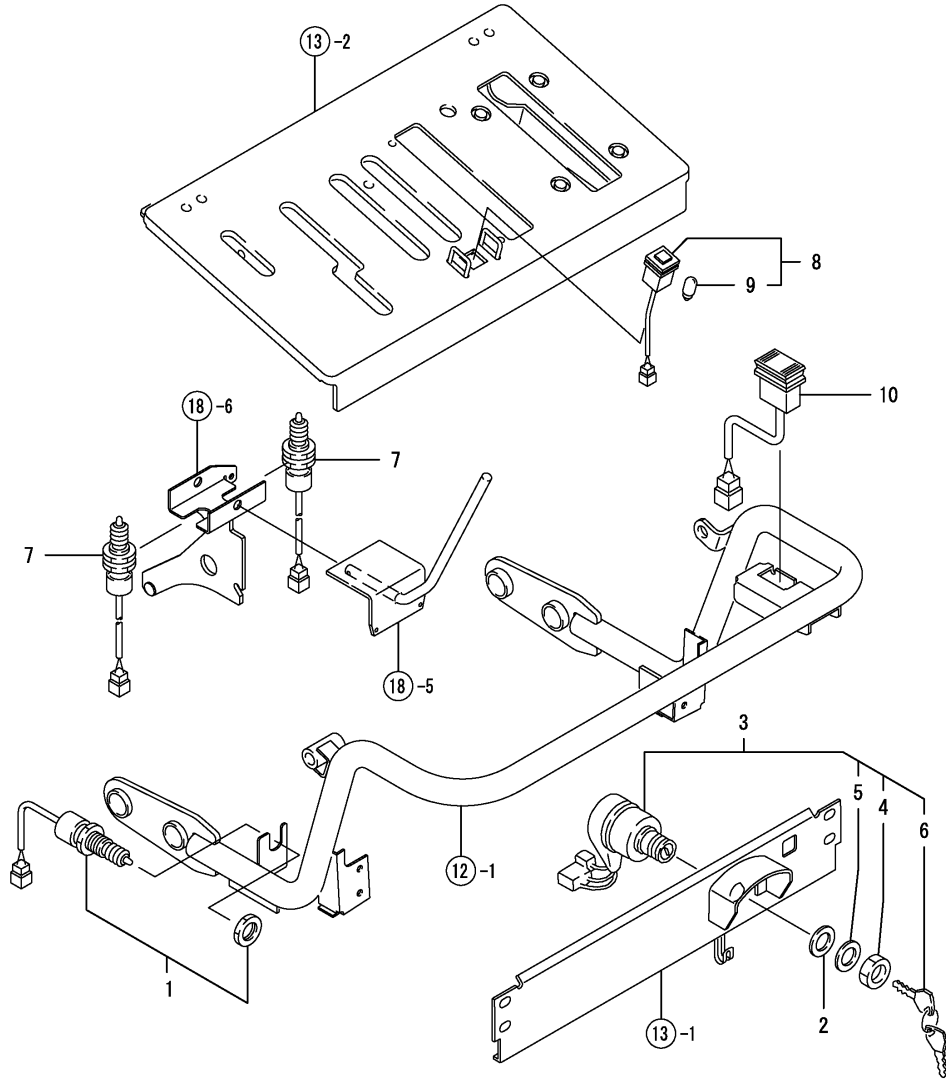
(E)=

(F)=



No.	Lev.	Parts No.	Description	Q'ty						I	R
				(A)	(B)	(C)	(D)	(E)	(F)		
1	1	1D4111-17400	SEAT, FUSE BOX B	1							
2	1	1N1730-51051	RETAINER, BATTERY	1							
3	1	1N1730-51071	BOLT,BATTERY CLAMPG	1							
4	1	1N3293-51300	HARNESS ASSY, A107H	1							
5	2	1N3280-51800	PULLER.FUSE 15	1							
6	2	1K1140-82500	RELAY(ACM13211M01	3							
7	2	1K1140-82600	COVER,RELAY BOX(4P	1							
8	2	1E8450-83120	FUSE, SLOW BLOW 40A	2							
9	2	1E8775-84120	CLAMP, BAND	3							
10	2	1E8490-84130	CLAMP, BAND	2							
11	2	1E8235-84910	DIODE, 090 3A	2							
12	2	29420-100000	FUSE, B 10A	4							
13	2	29420-150000	FUSE, B 15A	2							
14	2	29420-300000	FUSE, B 30A	2							
15	1	198435-51310	BATTERY, DRY 46B24L	1							
15-1	1	1E8510-83050	BATTERY, 55B24-L	1							N
		(A=FZZZZZ)									
16	1	1N3281-51400	JOINT HARNESS,LAMPSW	1							
17	1	1N3280-51601	CABLE A,BATTERY	1							
18	2	1E8665-83100	CLIP, BAND	1							
19	1	1N3280-51653	CABLE B,BATTERY	1							
20	1	1N3280-51700	SEAT,EARTH	1							
21	1	1E6150-83910	BAND 195	1							
22	1	1E6102-84970	BAND 140,WIRE LOCK	1							
23	1	1E6102-84970	BAND 140,WIRE LOCK	1							
24	1	22217-060000	WASHER, SPRING 6	2							
25	1	26014-060162	BOLT, M6X 16	2							
26	1	26014-080162	BOLT, M8X 16	1							
27	1	26717-060002	NUT, M6	2							

Fig.24. SWITCHS

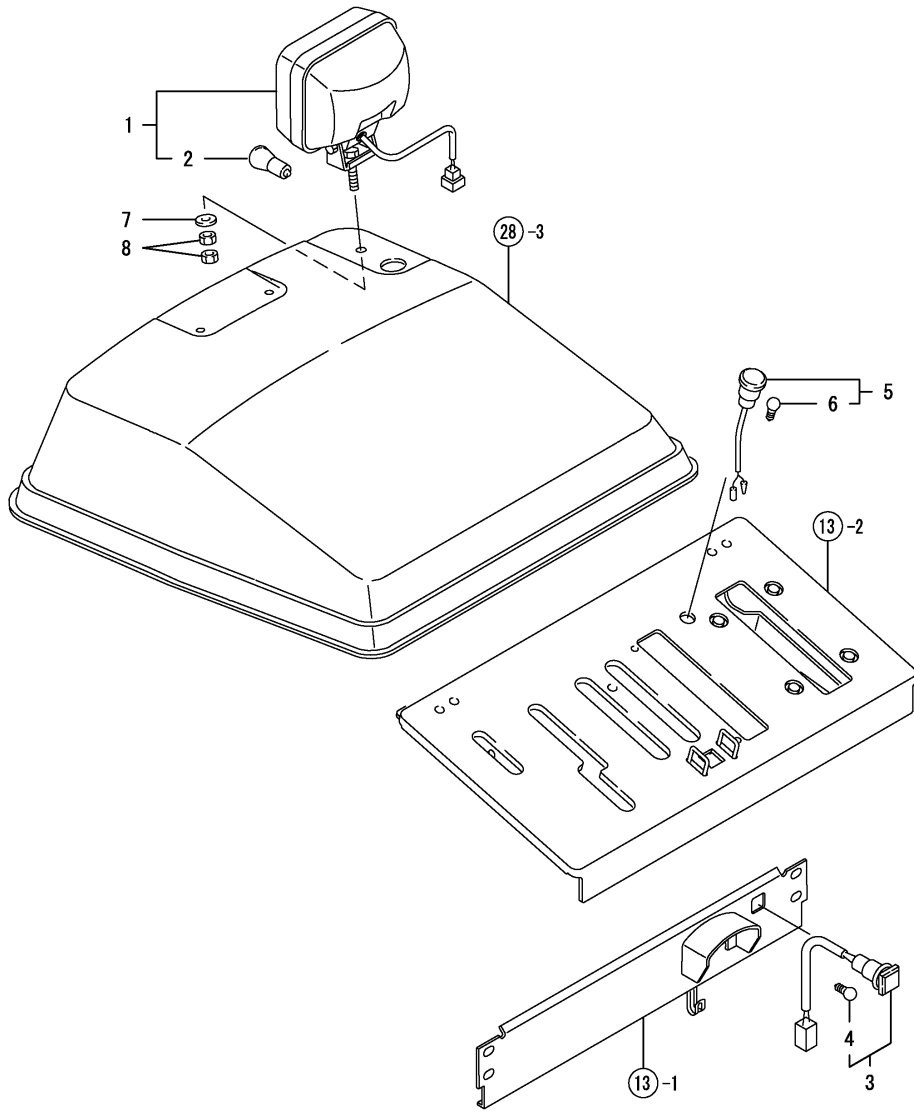


(A)=YSRA1090  
(B)=  
(C)=

(D)=  
(E)=  
(F)=

No.	Lev.	Parts No.	Description	Q'ty						I	R
				(A)	(B)	(C)	(D)	(E)	(F)		
1	1	1D4103-18300	SWITCH, PUSH	1							
2	1	1N1730-51910	SPACER 35-6	1							
3	1	194940-52110	SWITCH, STARTING	1							
4	2	198360-52320	NUT, RING	1							
5	2	198360-52330	WASHER	1							
6	2	198360-52160	KEY ASSY	1							
7	1	1N3290-52301	SWITCH,PUSH	2							
8	1	1E8385-81330	SWITCH, S NL	1							
9	2	1E8385-81310	LAMP 14V-100MA	1							
10	1	1E8450-81360	SWITCH, SEESAW 3P-AG	1							

Fig.25. LAMP



(A)=YSRA1090  
(B)=  
(C)=

(D)=  
(E)=  
(F)=

No.	Lev.	Parts No.	Description	Q'ty						I	R
				(A)	(B)	(C)	(D)	(E)	(F)		
1	1	1N3280-53113	HEAD LIGHT ASY.	1							
2	2	1N1730-51131	LAMP 12V-15W G23	1							
3	1	1N3281-53200	LAMPCMP,HEATER	1							
4	2	1E6480-82280	BULB,12V-34W	1							
5	1	7E6366-81350	LAMP ASSY, PILOT G	1							
6	2	29220-083200	BULB (12V/3.4W)	1							
7	1	22137-080000	WASHER, 8	1							
8	1	26717-080002	NUT, M8	2							



Fig.27. RELAY

(A)=YSRA1090

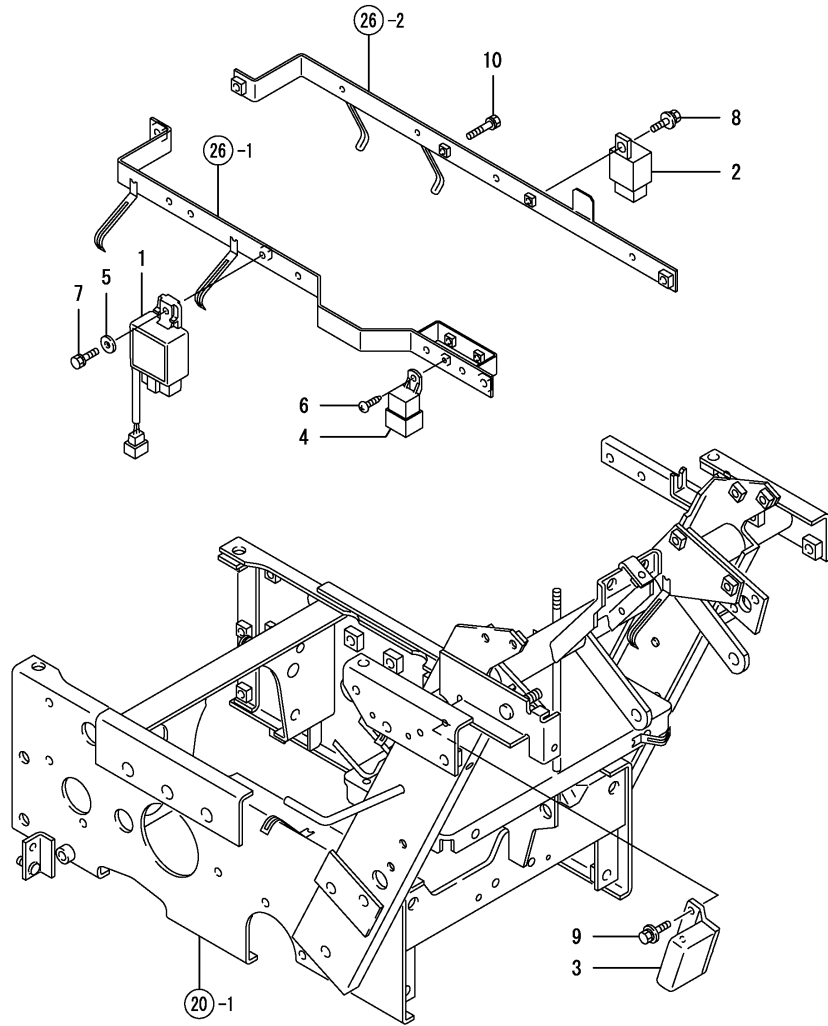
(B)=

(C)=

(D)=

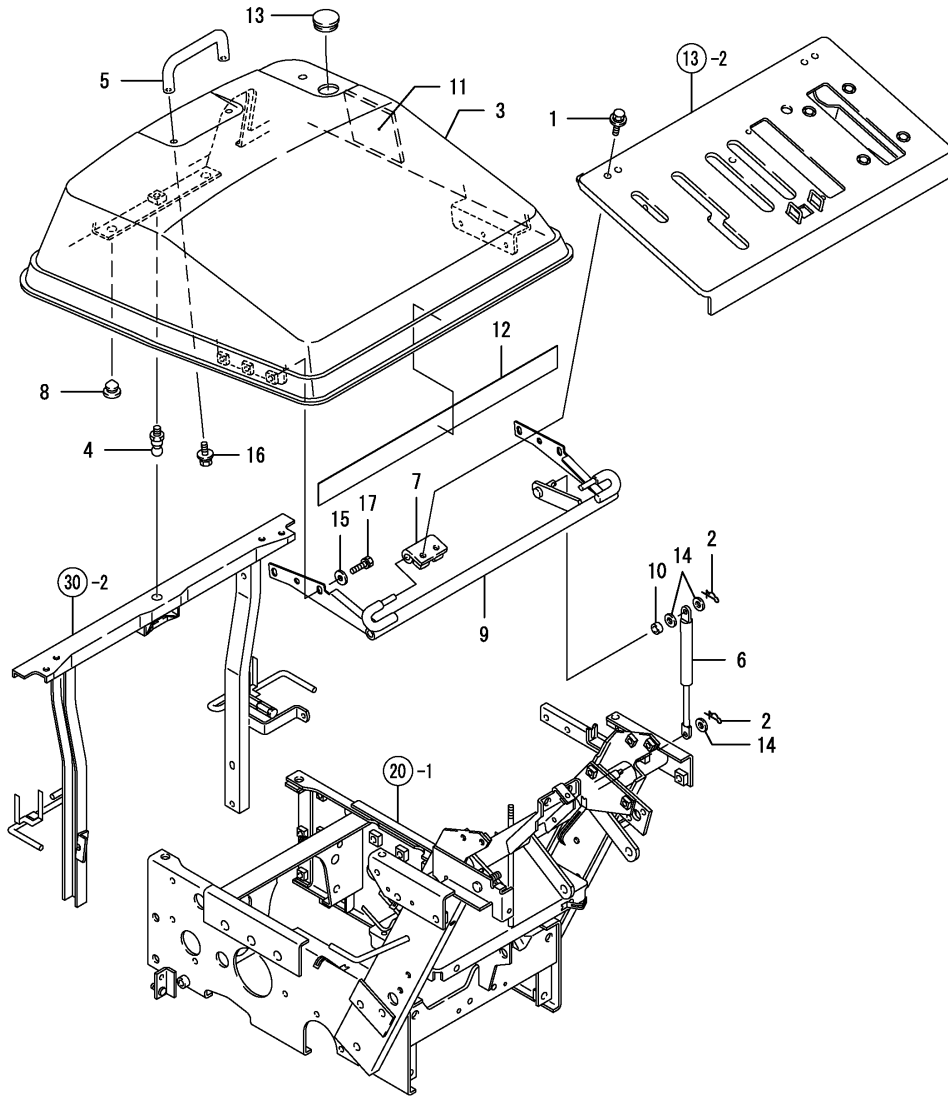
(E)=

(F)=



No.	Lev.	Parts No.	Description	Q'ty						I	R
				(A)	(B)	(C)	(D)	(E)	(F)		
1	1	1N3280-55100	RELAY UNIT	1							
2	1	1N3281-55101	UNIT,CLUTCH	1							
3	1	129107-77900	CONTROLLER	1							
4	1	1E8665-82000	RELAY, CB 1C	1							
5	1	22157-060000	WASHER, 6	1							
6	1	22857-500120	SCREW, 5X12	1							
7	1	26013-060202	BOLT, M6X 20	1							
8	1	26013-060302	BOLT, M6X 30	1							
9	1	26014-060122	BOLT, M6X 12	2							
10	1	26014-060162	BOLT, M6X 16	1							

Fig.28. BONNET



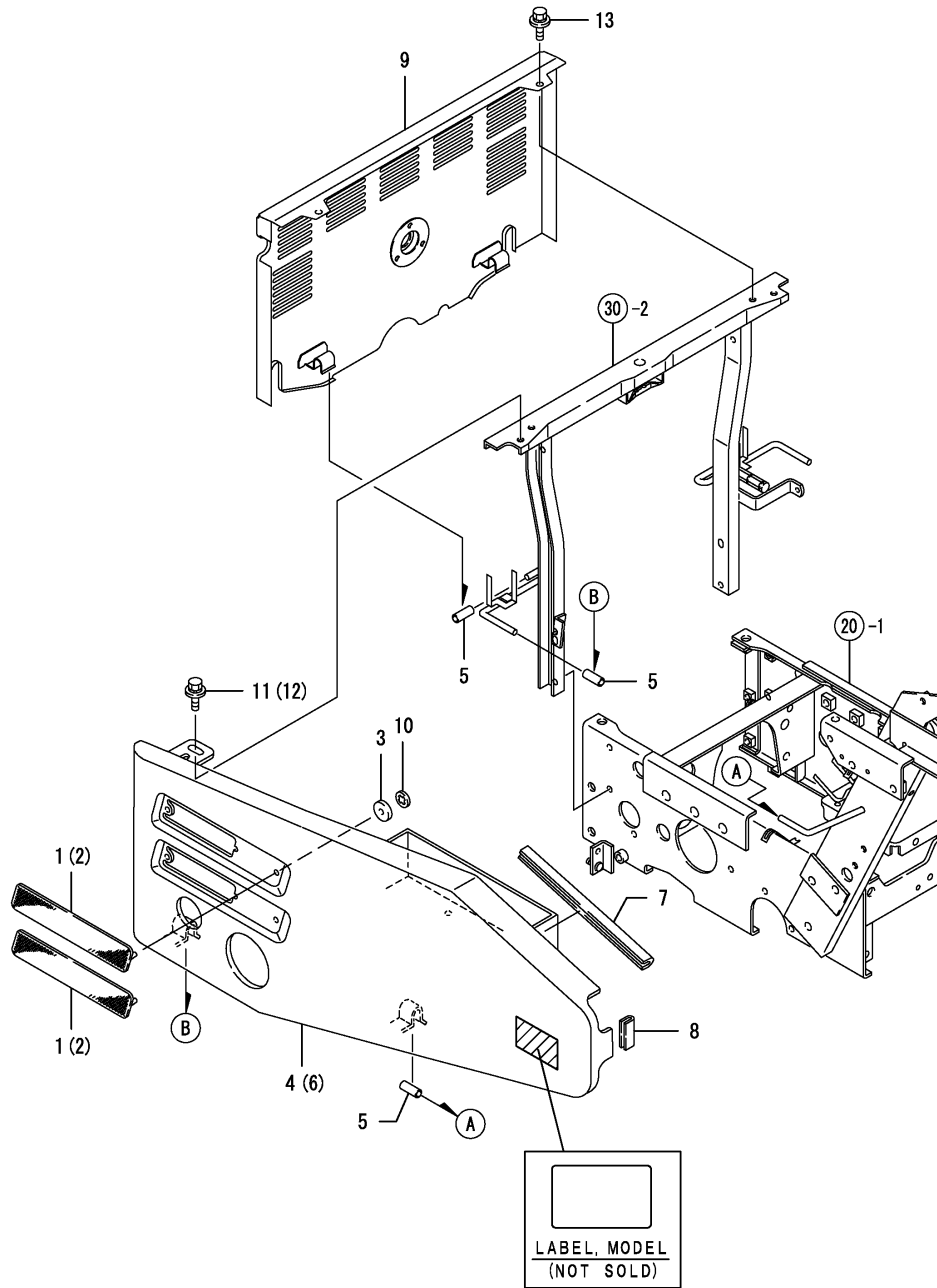
(A)=YSRA1090  
(B)=  
(C)=

(D)=  
(E)=  
(F)=

No.	Lev.	Parts No.	Description	Q'ty						I	R
				(A)	(B)	(C)	(D)	(E)	(F)		
1	1	1N3280-30901	BOLT 6X160(BLACK	4							
2	1	1C6281-52310	PIN, SNAP 6	2							
3	1	7N3290-61010	BONNET ASSY,D PL	1							
4	1	1N3280-61110	LATCH.BONNET	1							
5	1	1N3280-61121	HANDLE	1							
6	1	1N3280-61130	GASKET SP(BONNET)	1							
7	1	1N3280-61180-1	HINGE BONNET	2							
8	1	1N1730-61190	RUBBER,CONTACT	2							
9	1	1N3293-61460	FLCRM,BONNET CMP	1							
10	1	1N3280-61490	SPACER NA-405	1							
11	1	1N3280-61601	INSULATOR	1							
12	1	1N3293-61700	PLATE, RUBBER	1							
13	1	1E6910-83500	GROMMET, 30	1							
14	1	22137-060000	WASHER, 6	3							
15	1	22157-060000	WASHER, 6	6							
16	1	26014-060122	BOLT, M6X 12	2							
17	1	26016-060162	BOLT, M6X 16	6							



Fig.29. COVER



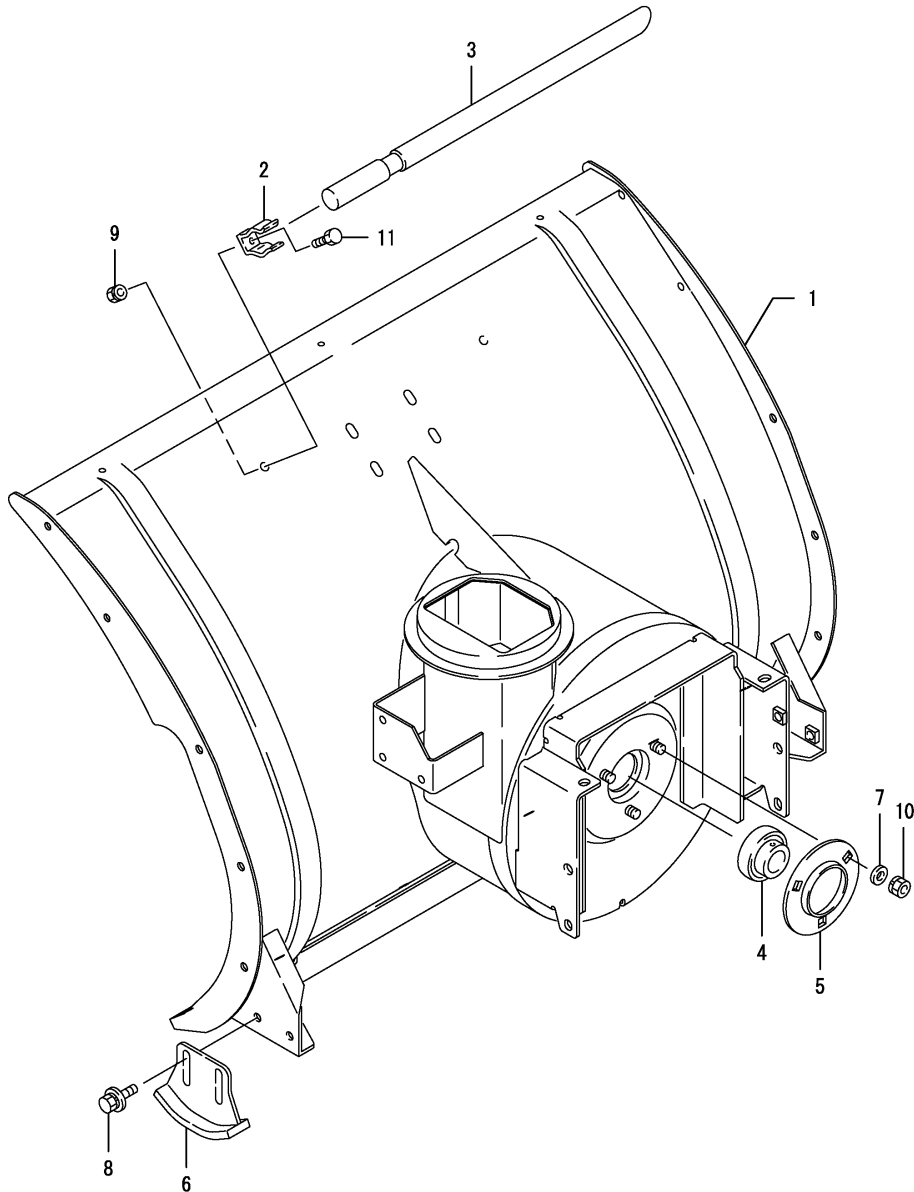
(A)=YSRA1090  
(B)=  
(C)=

(D)=  
(E)=  
(F)=

No.	Lev.	Parts No.	Description	Q'ty						I	R
				(A)	(B)	(C)	(D)	(E)	(F)		
1	1	198072-05161	SCREEN, L	2							
2	1	198072-05261	SCREEN, R	2							
3	1	1E6251-32530	RUBBER, 74.5X16X1.5	12							
4	1	1N3280-61212	COVER ASSY, SIDE	1							
5	1	1N3280-61290	PIPE.VINYL 8X30	6							
6	1	1N3280-61312	COVER ASSY, SIDE	1							
7	1	1N3280-61350	RUBBER 245.EDGE	2							
8	1	1N3280-61360	RUBBER 44.EDGE	2							
9	1	7N3940-61410	COVER.FRONT PL	1							
10	1	198071-65610	NUT, SPEED M5	12							
11	1	26014-080162	BOLT, M8X 16	2							
12	1	26014-080162	BOLT, M8X 16	2							
13	1	26014-080162	BOLT, M8X 16	2							



Fig.31. SNOW REMOVING FRAME



(A)=YSRA1090  
(B)=  
(C)=

(D)=  
(E)=  
(F)=

No.	Lev.	Parts No.	Description	Q'ty						I	R
				(A)	(B)	(C)	(D)	(E)	(F)		
1	1	1N3293-71001	FRAME	1							
2	1	1N1710-71062-2	STOPPER	2							
3	1	1N1710-71072	ROD,SNOW SHOVELING	1							
4	1	1N3280-71270	BEARING SB206	1							
5	1	1N3280-71280	CASING ASSY	1							
6	1	1N3280-71501-1	GUIDE ASSY	2							
7	1	22137-100000	WASHER, 10	3							
8	1	26018-080202	BOLT, M8X 20	4							
9	1	26051-060002	NUT, M6	2							
10	1	26051-100002	NUT, M10	3							
11	1	26117-060122	BOLT M 6X 12 PLATED	2							

Fig.32. AUGER SIDE BOARD

(A)=YSRA1090  
(B)=  
(C)=

(D)=  
(E)=  
(F)=

No.	Lev.	Parts No.	Description	Q'ty						I	R
				(A)	(B)	(C)	(D)	(E)	(F)		
1	1	1N3293-71350	PLATE, AUGER SIDE L	1							
2	1	1N3293-71360	PLATE, AUGER SIDE R	1							
3	1	26051-080002	NUT, M8	6							
4	1	26487-080202	BOLT, M8X20	6							

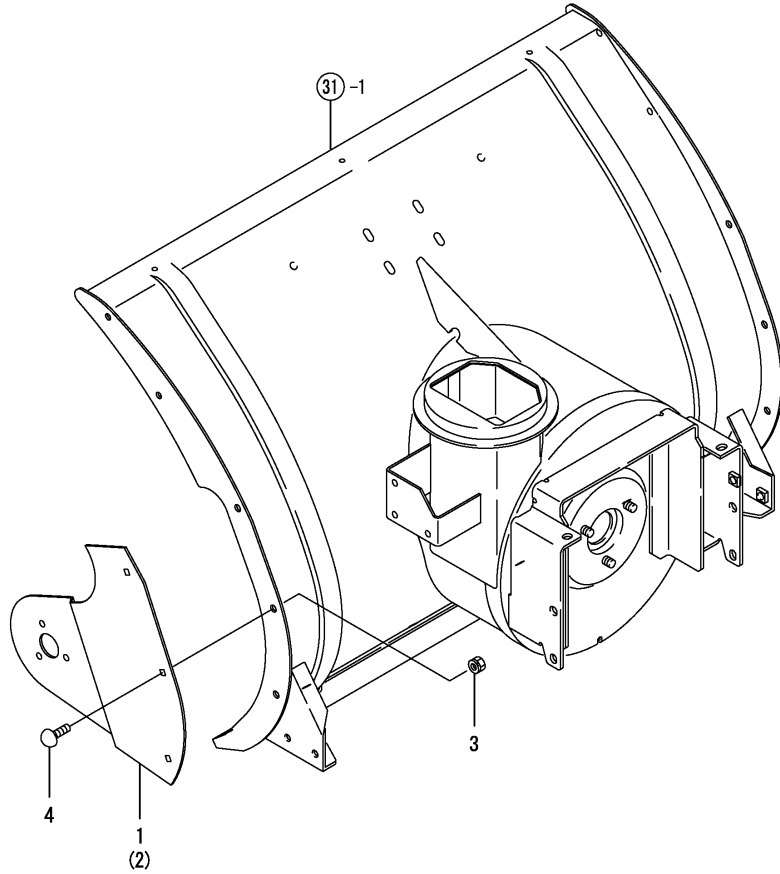


Fig.33. AUGER COVER

(A)=YSRA1090  
(B)=  
(C)=

(D)=  
(E)=  
(F)=

No.	Lev.	Parts No.	Description	Q'ty						I	R
				(A)	(B)	(C)	(D)	(E)	(F)		
1	1	7N3940-71200	CASE COVER PL	1							
2	1	22137-060000	WASHER, 6	3							
3	1	22137-080000	WASHER, 8	2							
4	1	26051-060002	NUT, M6	3							
5	1	26051-080002	NUT, M8	2							
6	1	26116-060122	BOLT, M6X 12 PLATED	3							
7	1	26116-080162	BOLT, M8X 16 PLATED	2							

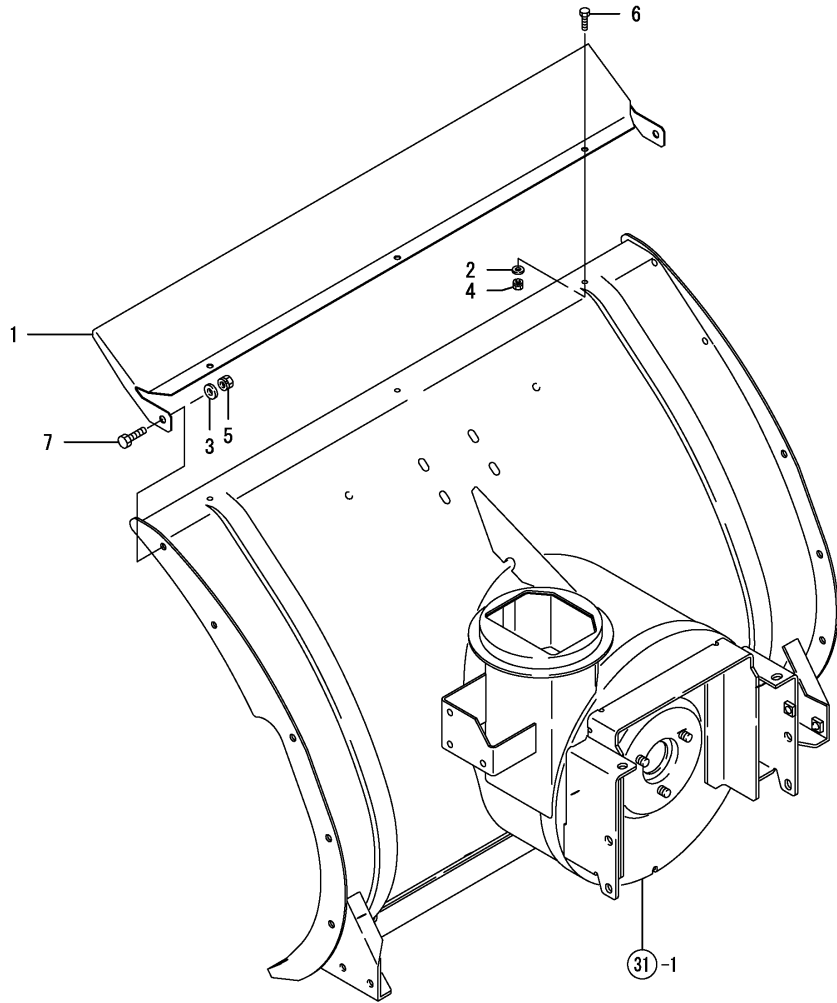


Fig.34. AUGER BOTTOM

(A)=YSRA1090  
(B)=  
(C)=

(D)=  
(E)=  
(F)=

No.	Lev.	Parts No.	Description	Qty						I	R
				(A)	(B)	(C)	(D)	(E)	(F)		
1	1	1N3293-71420	PLATE, BOTTOM 900	1							
2	1	22137-080000	WASHER, 8	6							
3	1	26051-080002	NUT, M8	6							
4	1	26577-080202	SCREW, M8X20	6							

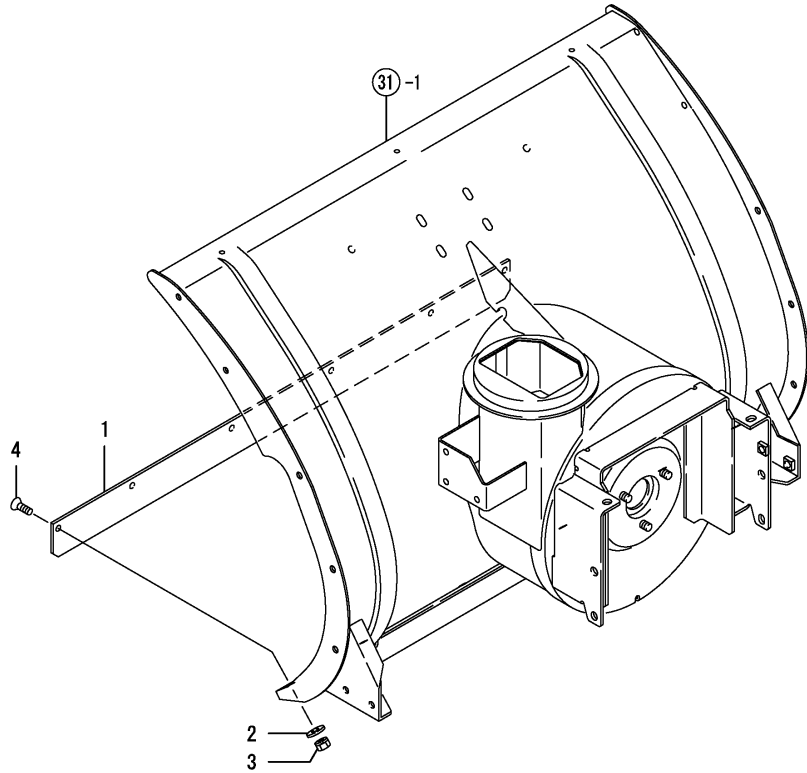
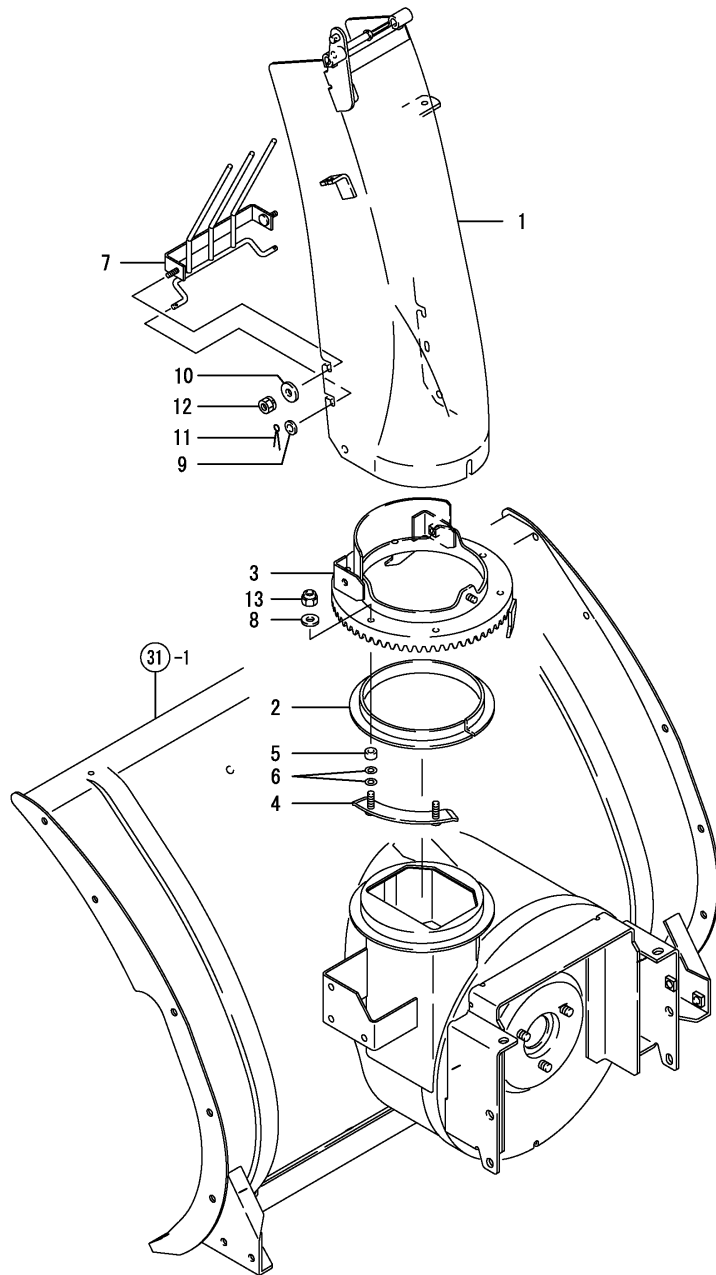


Fig.35. CHUTE

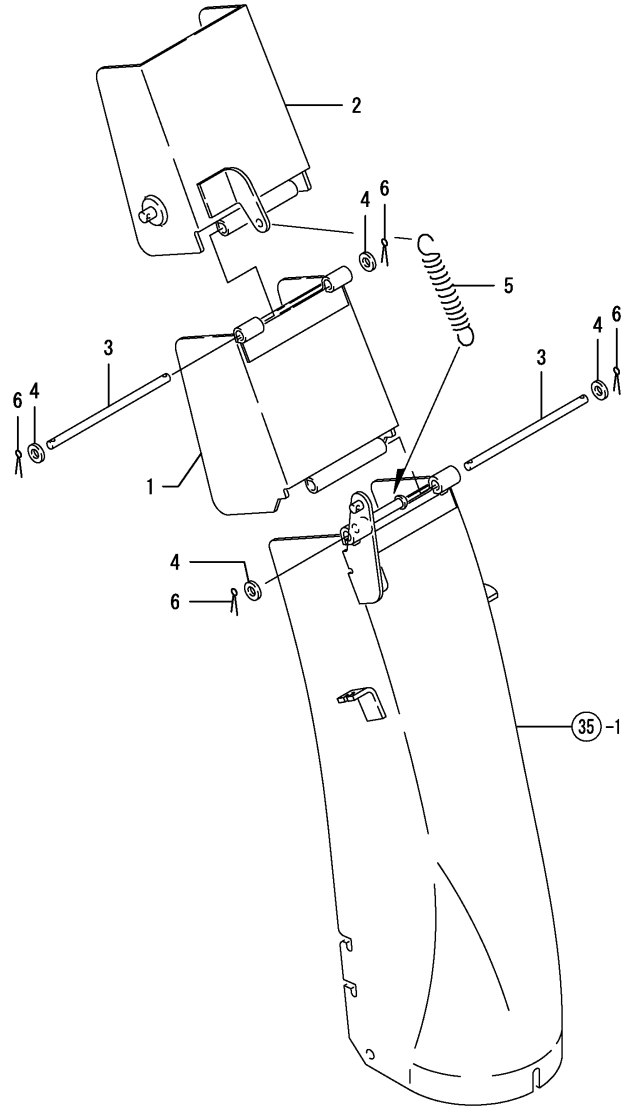


(A)=YSRA1090  
(B)=  
(C)=

(D)=  
(E)=  
(F)=

No.	Lev.	Parts No.	Description	Q'ty						I	R
				(A)	(B)	(C)	(D)	(E)	(F)		
1	1	7N3940-73000	CHUTE PL	1							
2	1	1N3280-73120	PLATE.SWING	1							
3	1	1N3293-73140	SEAT ASSY, ROTATION	1							
4	1	1N3280-73201	FITTING.CHUTE	3							
5	1	1N3280-73230	COLLER6.1X12X6.7	6							
6	1	1N3280-73240	SHIM 6.1X12X0.4	12							
7	1	1N3320-73300	GUARD, SAFETY	1							
8	1	22137-060000	WASHER, 6	6							
9	1	22137-060000	WASHER, 6	2							
10	1	22157-060000	WASHER, 6	2							
11	1	22417-200120	COTTER PIN 2.0X12	2							
12	1	26051-060002	NUT, M6	2							
13	1	26347-060002	NUT, M6	6							

Fig.36. DEFLECTOR



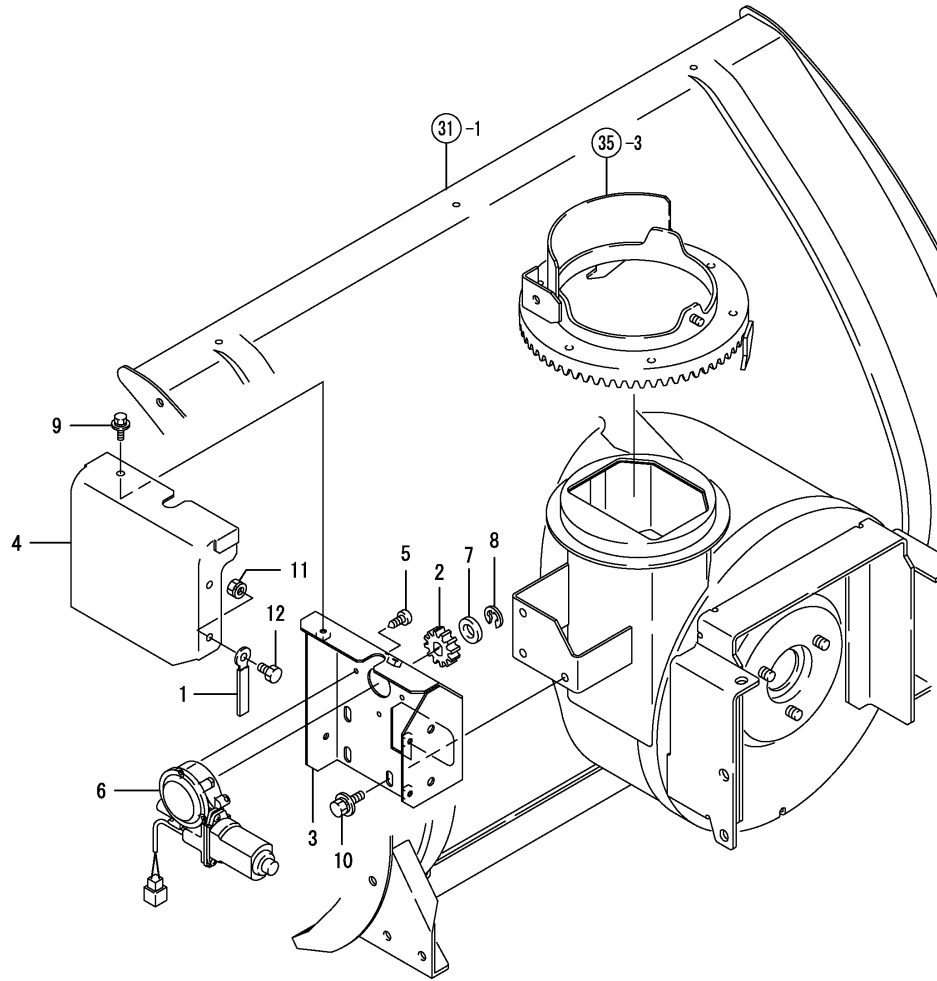
(A)=YSRA1090  
(B)=  
(C)=

(D)=  
(E)=  
(F)=

No.	Lev.	Parts No.	Description	Q'ty						I	R
				(A)	(B)	(C)	(D)	(E)	(F)		
1	1	1N3280-73352-1	DEFLECTOR ASSY,	1							
2	1	1N3280-73401-1	DEFLECTOR ASSY, SUB	1							
3	1	1N3280-73450	SHAFT.FLCRM.DEFLECTR	2							
4	1	1N3280-73460	WASHER 7.5X12X1.0	4							
5	1	1N3280-73470	SPRIG.CHUTE	1							
6	1	22417-160160	PIN, COTTER 1.6X16	4							



Fig.37. CHANGE ROTATION



(A)=YSRA1090  
(B)=  
(C)=

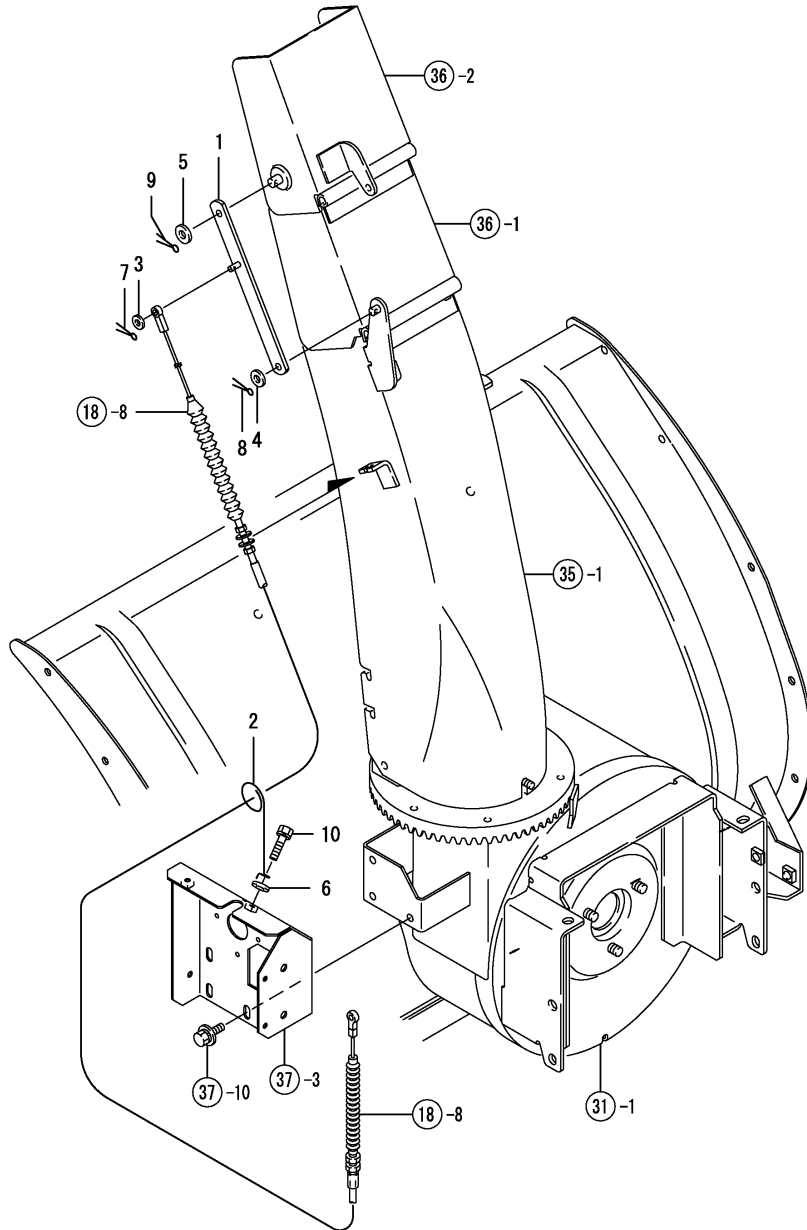
(D)=  
(E)=  
(F)=

No.	Lev.	Parts No.	Description	Q'ty						I	R
				(A)	(B)	(C)	(D)	(E)	(F)		
1	1	1N1710-32600	CLAMP 8X70	1							
2	1	1N3293-73510	GEAR, ROTATION 8T	1							
3	1	1N3293-73551	BASE,MOTOR	1							
4	1	1N3293-73651	COVER,MOTOR	1							
5	1	1N3280-73740	SCREW 5X14AEX.TAPPNG	3							
6	1	1E8915-86500	MOTOR,	1							
7	1	22117-100000	WASHER, 10	1							
8	1	22272-000070	RING, E- 7	1							
9	1	26018-060124	BOLT M 6X 12	3							
10	1	26018-080204	BOLT M 8X 20	3							
11	1	26051-080002	NUT, M8	1							
12	1	26116-080162	BOLT, M8X 16 PLATED	1							

Fig.38. DEFLECTOR DRIVE

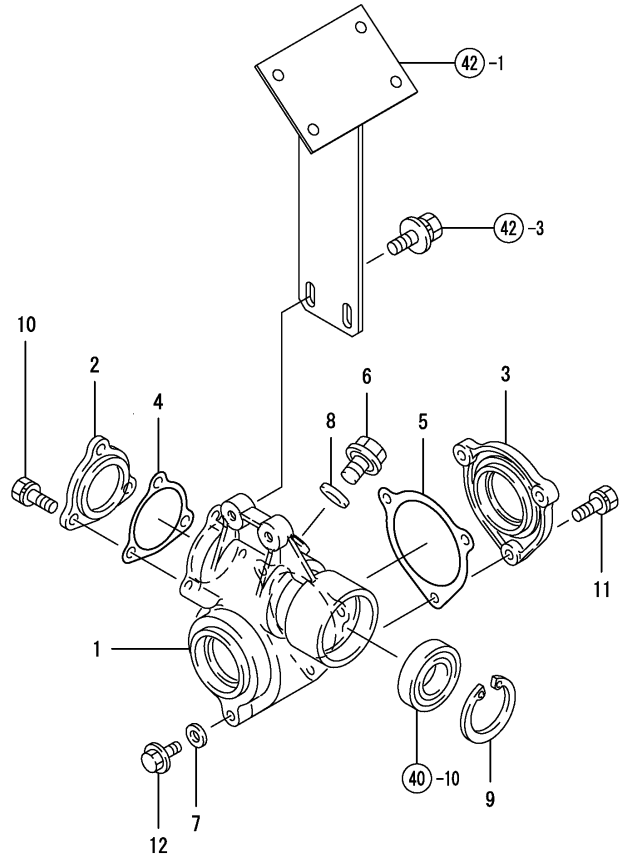
(A)=YSRA1090  
(B)=  
(C)=

(D)=  
(E)=  
(F)=



No.	Lev.	Parts No.	Description	Q'ty						I	R
				(A)	(B)	(C)	(D)	(E)	(F)		
1	1	1N3293-73860	ROD CMP	1							
2	1	1N3293-73950	GUIDE, WIRE	1							
3	1	22137-060000	WASHER, 6	1							
4	1	22137-080000	WASHER, 8	1							
5	1	22137-100000	WASHER, 10	1							
6	1	22157-060000	WASHER, 6	1							
7	1	22417-160160	PIN, COTTER 1.6X16	1							
8	1	22417-200160	PIN, COTTER 2.0X16	1							
9	1	22417-300250	PIN, COTTER 3.0X25	1							
10	1	26016-060162	BOLT, M6X 16	1							

Fig.39. GEAR CASE

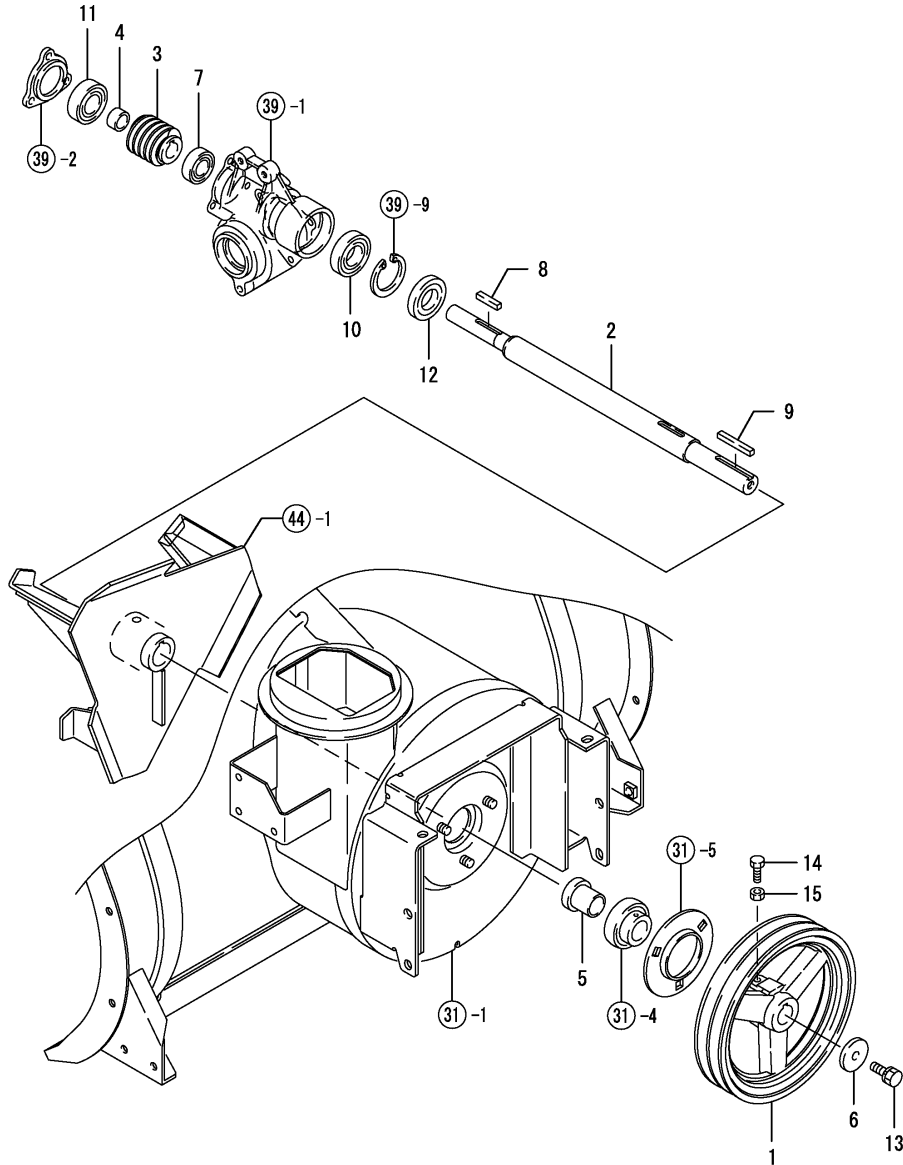


(A)=YSRA1090  
(B)=  
(C)=

(D)=  
(E)=  
(F)=

No.	Lev.	Parts No.	Description	Q'ty						I	R
				(A)	(B)	(C)	(D)	(E)	(F)		
1	1	1N3280-74001-1	CASE, GEAR	1							
2	1	1N3280-74010-1	COVER, RETAINER	1							
3	1	1N3280-74020-1	BEARING, AUGER	1							
4	1	1N3280-74030	GASKET (A)	1							
5	1	1N3280-74040	PACKING B	1							
6	1	1N3021-74130	BOLT M14,DRAIN	1							
7	1	22190-080000	WASHER, SEAL 8	1							
8	1	22190-140000	WASHER, SEAL 14	1							
9	1	22252-000550	RING, 55	1							
10	1	26016-080202	BOLT, M8X 20	3							
11	1	26016-080252	BOLT, M8X 25	3							
12	1	26107-080162	BOLT M 8X 16 PLATED	1							

Fig.40. BLOWER SHAFT



(A)=YSRA1090  
(B)=  
(C)=

(D)=  
(E)=  
(F)=

No.	Lev.	Parts No.	Description	Qty						I	R
				(A)	(B)	(C)	(D)	(E)	(F)		
1	1	1N3700-12250	PULLEY,229-B2	1							
2	1	1N3282-74200	SHAFT, BLOWER	1							
3	1	1N1730-74210	WORM 3L2	1							
4	1	1N1730-74220	COLLAR,BLOWER SHAFT	1							
5	1	1N3280-74270	COLLAR 25X30X39	1							
6	1	1N3280-74280	WASHER 11X42X6	1							
7	1	1N1730-74300	BEARING,TAPER ROLLE	1							
8	1	22550-070350	KEY 7X35	1							
9	1	22550-070550	KEY, 7X 55	1							
10	1	24101-060064	BEARING, BALL 6006	1							
11	1	24101-063044	BEARING, BALL 6304	1							
12	1	24421-305512	SEAL, OIL TC305512	1							
13	1	26016-100252	BOLT M10X 25	1							
14	1	26116-080252	BOLT, M8X 25 PLATED	1							
15	1	26717-080002	NUT, M8	1							

Fig.41. AUGER SHAFT

(A)=YSRA1090  
(B)=  
(C)=

(D)=  
(E)=  
(F)=

No.	Lev.	Parts No.	Description	Q'ty						I	R
				(A)	(B)	(C)	(D)	(E)	(F)		
1	1	1N3293-74100	SHAFT, AUGER	1							
2	1	1N3280-74112	WHEEL, WORM	1							
3	1	22550-070450	KEY 7X7X45	1							
4	1	24101-062064	BEARING, BALL 6206	2							
5	1	24421-305008	SEAL, OIL TC305008	2							

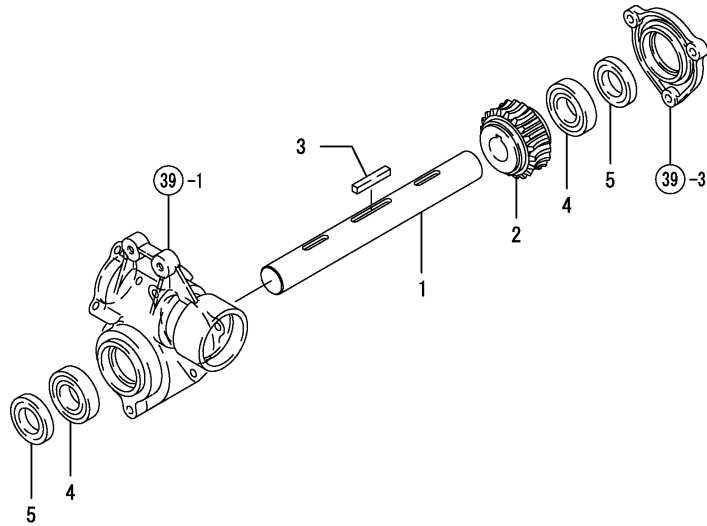


Fig.42. GEAR CASE SUPPORT

(A)=YSRA1090

(B)=

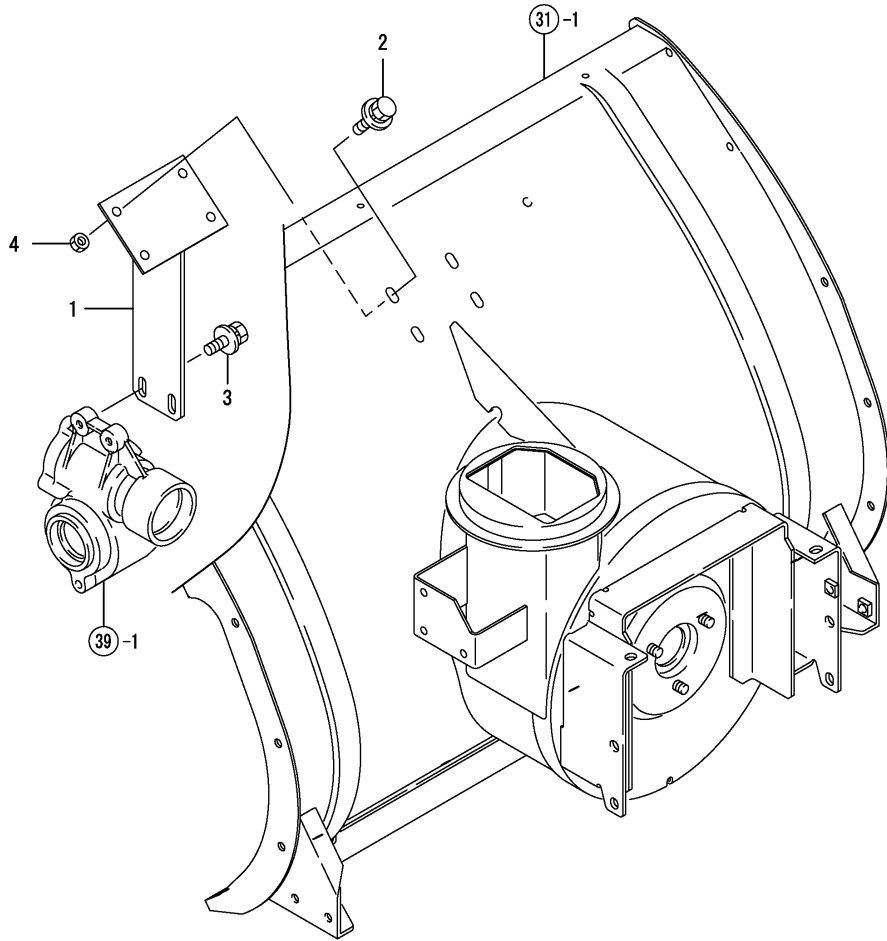
(C)=

(D)=

(E)=

(F)=

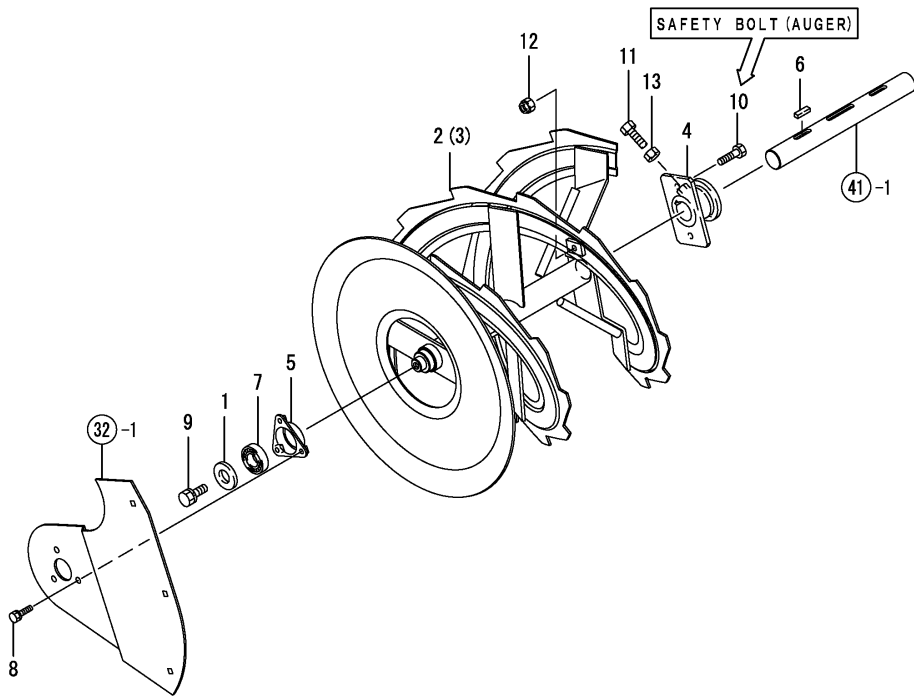
No.	Lev.	Parts No.	Description	Q'ty						I	R
				(A)	(B)	(C)	(D)	(E)	(F)		
1	1	1N3293-74450	FIXTURE ASSY, CASE	1							
2	1	26018-080202	BOLT, M8X 20	4							
3	1	26018-080252	BOLT, M8X 25	2							
4	1	26717-080002	NUT, M8	4							



# Fig.43. AUGER

(A)=YSRA1090  
(B)=  
(C)=

(D)=  
(E)=  
(F)=



No.	Lev.	Parts No.	Description	Q'ty						I	R
				(A)	(B)	(C)	(D)	(E)	(F)		
1	1	1E8450-15950	WASHER, 10.5X28	2							
2	1	1N3293-75000-1	AUGER ASSY, L(900)	1							
3	1	1N3293-75150-1	AUGER ASSY, R(900)	1							
4	1	1N3280-75251-1	FLANGE ASSY,	2							
5	1	1N3293-75300	BRACKET, 6004	2							
6	1	22550-070250	KEY 7X25	2							
7	1	24104-060044	BEARING, BALL 6004UU	2							
8	1	26016-060162	BOLT, M6X 16	6							
9	1	26016-100252	BOLT M10X 25	2							
10	1	26116-080352	BOLT, M8X 35 PLATED	2							
11	1	26116-100252	BOLT, M10X 25 PLATED	2							
12	1	26347-080002	NUT, M8	2							
13	1	26717-100002	NUT, M10	2							

# Fig.44. BLOWER

(A)=YSRA1090  
(B)=  
(C)=

(D)=  
(E)=  
(F)=

No.	Lev.	Parts No.	Description	Q'ty						I	R
				(A)	(B)	(C)	(D)	(E)	(F)		
1	1	1N3282-76000	BLOWER	1							
2	1	22550-070350	KEY 7X35	1							
3	1	26116-100252	BOLT, M10X 25 PLATED	1							
4	1	26717-100002	NUT, M10	1							

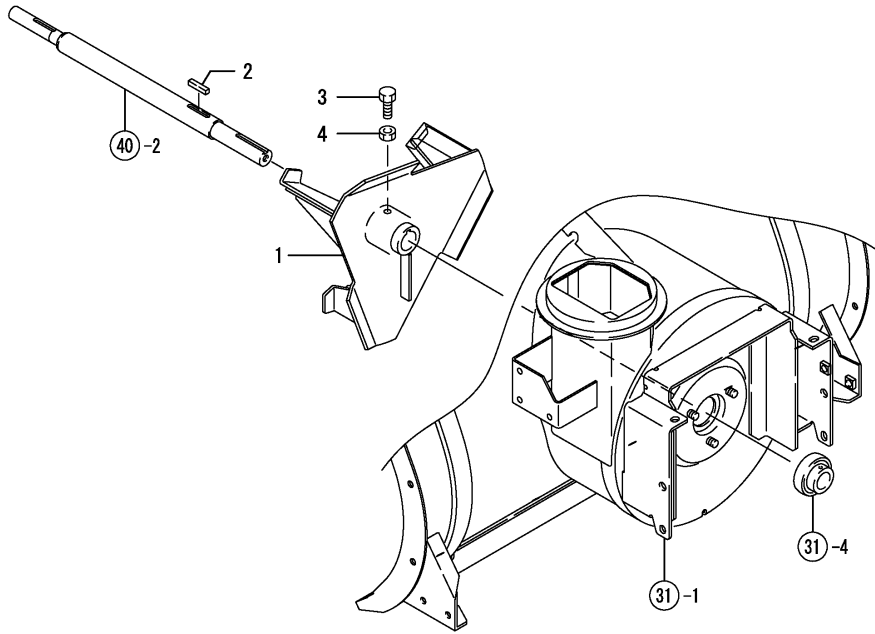
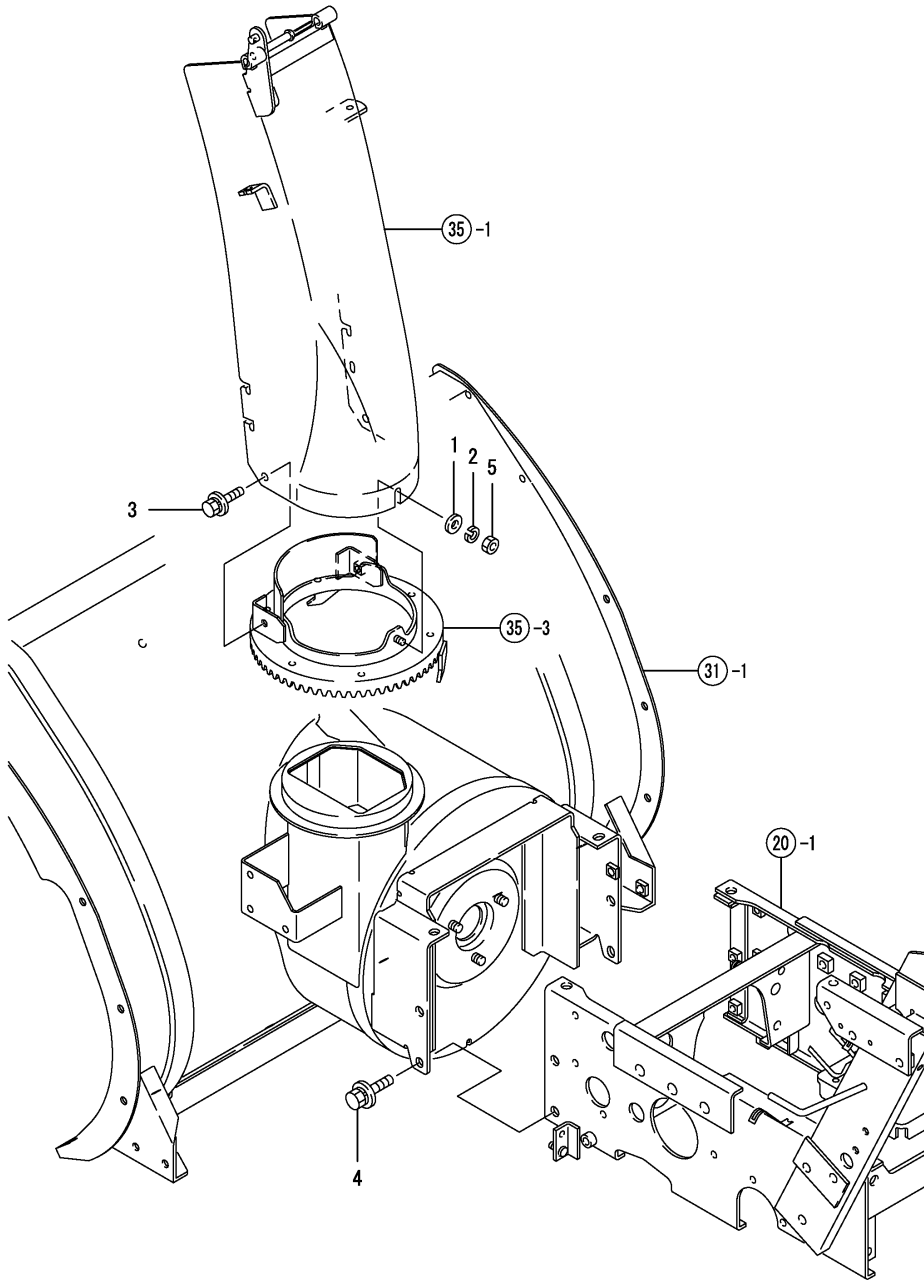




Fig.45. SNOW REMOVING MOUNTING

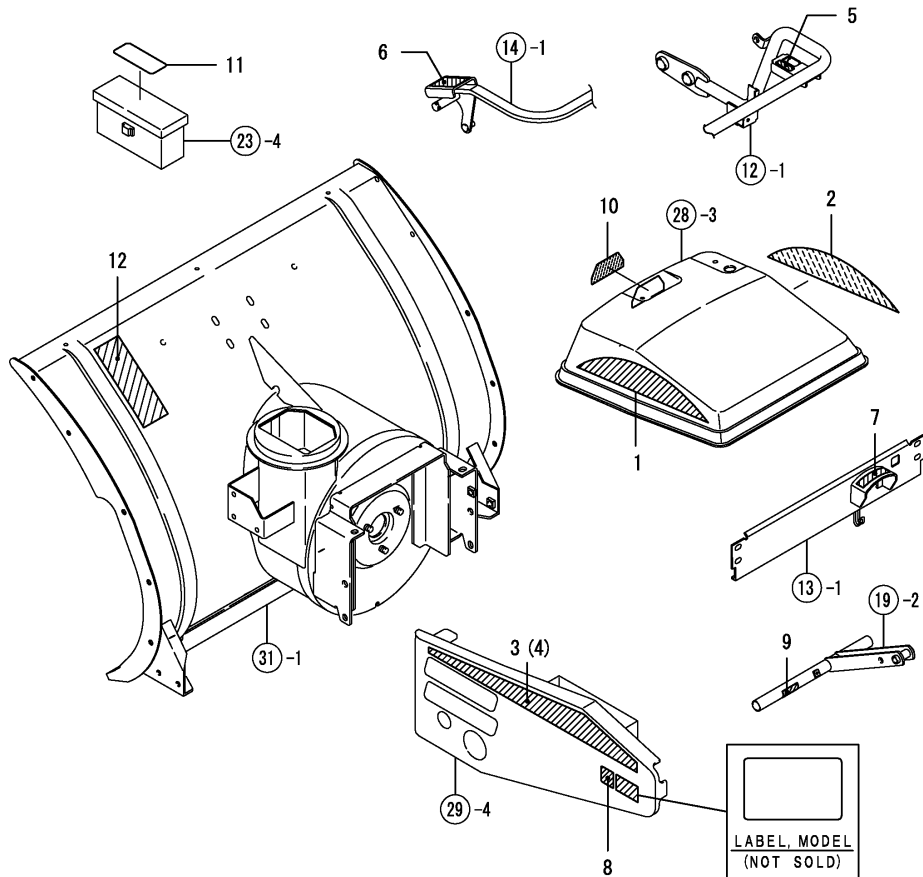
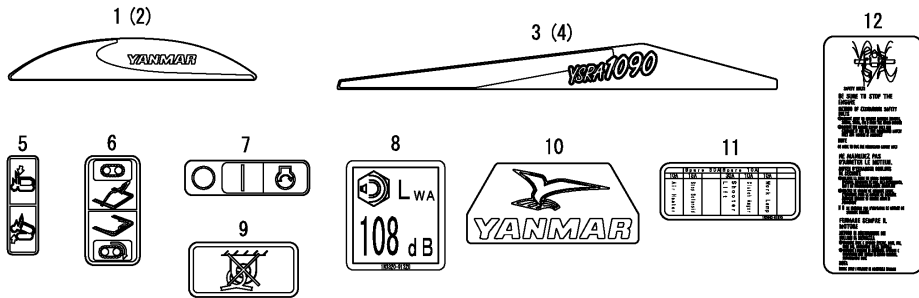


(A)=YSRA1090  
(B)=  
(C)=

(D)=  
(E)=  
(F)=

No.	Lev.	Parts No.	Description	Qty						I	R
				(A)	(B)	(C)	(D)	(E)	(F)		
1	1	22137-080000	WASHER, 8	1							
2	1	22217-080000	WASHER, SPRING 8	1							
3	1	26014-080162	BOLT, M8X 16	2							
4	1	26014-100252	BOLT, M10X 25	6							
5	1	26717-080002	NUT, M8	1							

Fig.46. LABEL



(A)=YSRA1090

(B)=

(C)=

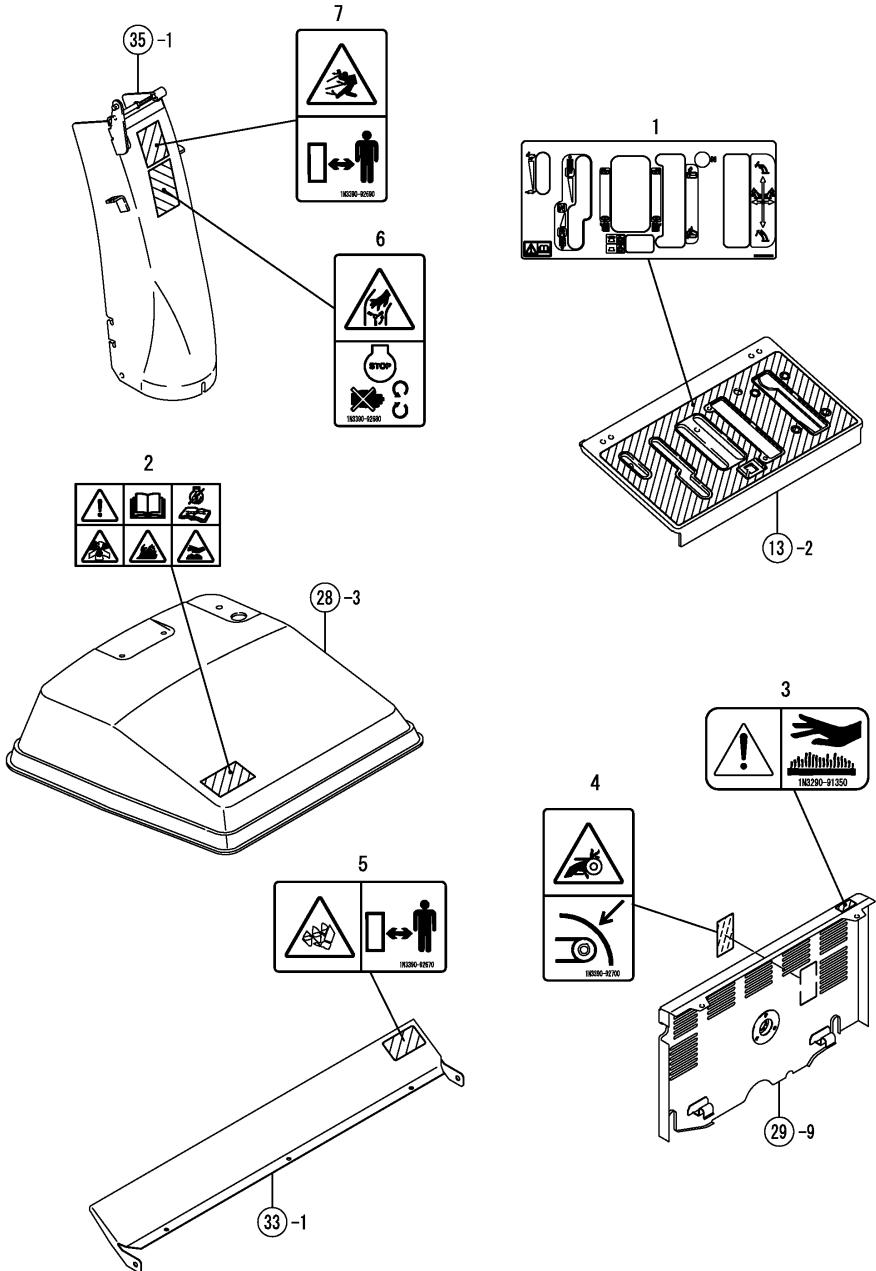
(D)=

(E)=

(F)=

No.	Lev.	Parts No.	Description	Qty						I	R
				(A)	(B)	(C)	(D)	(E)	(F)		
1	1	1N3293-91050	MARK L, BONNET	1							
2	1	1N3293-91060	MARK R, BONNET	1							
3	1	1N3940-91100	MARK, L YSRA1090	1							
4	1	1N3940-91110	MARK, R YSRA1090	1							
5	1	1N3940-91200	LABEL, AUGER SWITCH	1							
6	1	1N3940-91250	MARK, CLUTCH TRAVEL	1							
7	1	1N3940-91300	MARK, KEY SWITCH	1							
8	1	1N3320-91320	LABEL, SOUND	1							
9	1	1N3940-91470	LABEL, ROPING PROHIBI	1							
10	1	1N3290-91500	MARK, YANMAR	1							Z
		(A=FXXXXX)									
11	1	1N3940-91870	PLATE, FUSE	1							
12	1	1N3300-91200	LABEL, BOLT REPLACE	1							

Fig.47. LABELS(SAFETY)



(A)=YSRA1090  
(B)=  
(C)=

(D)=  
(E)=  
(F)=

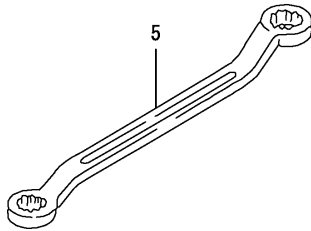
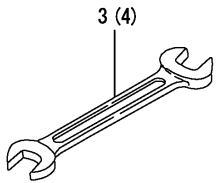
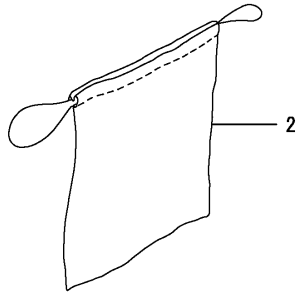
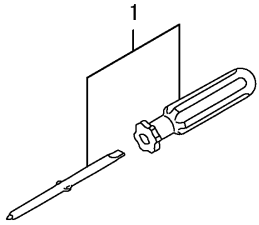
No.	Lev.	Parts No.	Description	Q'ty						I	R
				(A)	(B)	(C)	(D)	(E)	(F)		
1	1	1N3940-91010	LABEL, OPERAT	1							
2	1	1Q0140-91050	MARK, CAUTION	1							
3	1	1N3290-91350	CAUTION, MUFFLER	1							
4	1	1N3390-92700	LABEL, CAUTION	1							
5	1	1N3390-92670	LABEL, DANGER	1							
6	1	1N3390-92680	LABEL, WARNING	1							
7	1	1N3390-92690	LABEL, WARNING	1							

Fig.48. TOOLS

(A)=YSRA1090  
(B)=  
(C)=

(D)=  
(E)=  
(F)=

No.	Lev.	Parts No.	Description	Q'ty						I	R
				(A)	(B)	(C)	(D)	(E)	(F)		
1	1	1A1290-82050	SCREWDRIVER,COMBINAT	1							
2	1	1E6511-98910	BAG, TOOL	1							
3	1	28110-120140	SPANNER, 12X14	1							
4	1	28110-170190	SPANNER, 17X19	1							
5	1	28160-100120	WRENCH, 10X12	1							





## Parts No. Index

Parts No.	Fig. No.	Ref. No.
129107-77900	27	3
172122-46590	16	15
192010-24160	9	1
	22	3
192110-24031	21	1
194940-52110	24	3
198071-65610	29	10
198072-05161	29	1
198072-05261	29	2
198273-01230	3	1
198360-52160	24	6
198360-52320	24	4
198360-52330	24	5
198435-51310	23	15
1A1030-26250	7	3
1A1030-77050	19	10
1A1040-26060	8	2
1A1040-26290	7	4
1A1040-46460	12	4
1A1290-82050	48	1
1C6210-13340	6	1
1C6281-52310	3	4
	17	9
	28	2
1C6281-52320	14	9
	16	16
	17	10
1C6360-65700	21	13
	49	2
1D4103-18300	24	1
1D4111-17400	23	1
1D4160-52480	1	5
1D4220-22070	22	2
1E4060-26430	19	1
1E4060-74090	9	9
1E4060-99331	15	14
1E4110-24010	16	1
1E4130-74010	6	13
1E6030-12840	4	7
1E6071-53360	8	7
1E6090-34651-1	4	8
1E6102-84970	23	22
		23
1E6150-56040	22	11
1E6150-61310	12	5
	15	9
1E6150-83910	1	6
	23	21
1E6251-32530	29	3
1E6390-95490	3	6

Parts No.	Fig. No.	Ref. No.
1E6460-63240	14	10
	16	17
	17	11
1E6480-82280	25	4
1E6511-98910	48	2
1E6570-65751	18	9
1E6570-73201	3	5
1E6910-83500	22	12
	28	13
1E7043-45180	30	1
1E8080-86300	22	13
1E8080-86310	22	14
1E8235-84910	23	11
1E8300-35060	5	10
1E8350-52220	7	5
1E8350-52270	7	6
1E8385-81310	24	9
1E8385-81330	24	8
1E8400-63791	15	10
1E8400-63820	15	11
1E8450-15950	43	1
1E8450-81360	24	10
1E8450-83120	23	8
1E8490-54060	11	7
1E8490-54070	11	8
1E8490-64261	14	11
1E8490-74700	16	19
	18	11
1E8490-84130	23	10
1E8510-83050	23	15 -1
1E8600-64220	15	12
1E8665-82000	27	4
1E8665-83100	23	18
1E8775-84120	23	9
1E8915-86500	37	6
1E9170-64750	16	18
1E9350-64760	15	13
1J3999-07000	18	1
1K1140-82500	23	6
1K1140-82600	23	7
1N1710-32600	5	9
	37	1
1N1710-71062-2	31	2
1N1710-71072	31	3
1N1730-21260	6	9
1N1730-25112	9	4
1N1730-25210	9	6
1N1730-25540	9	7
1N1730-31870	15	8
1N1730-35392	19	7

Parts No.	Fig. No.	Ref. No.
1N1730-38183-1	21	4
1N1730-38250-1	21	7
1N1730-38290-1	21	9
1N1730-38351	21	11
1N1730-51051	23	2
1N1730-51071	23	3
1N1730-51131	25	2
1N1730-51910	24	2
1N1730-61190	28	8
1N1730-74210	40	3
1N1730-74220	40	4
1N1730-74300	40	7
1N3021-23051	11	1
1N3021-23060	11	2
1N3021-23070	11	3
1N3021-74130	39	6
1N3280-00111	1	1
1N3280-00160	1	2
1N3280-01113-1	2	1
1N3280-01510-1	1	3
1N3280-01550	1	4
1N3280-21011	6	2
1N3280-21330	6	8
1N3280-21361	6	10
1N3280-21401	6	11
1N3280-22050	7	1
1N3280-22100	7	2
1N3280-23011	8	1
1N3280-23051	8	4
1N3280-23220	8	6
1N3280-25000	9	2
1N3280-25120	9	5
1N3280-26200	10	1
1N3280-26220	10	2
1N3280-26230	10	3
1N3280-26301	10	4
1N3280-28010	11	4
1N3280-28030	11	5
1N3280-28510-1	11	6
1N3280-30310	12	2
1N3280-30321	12	3
1N3280-30901	13	6
		7
	28	1
1N3280-31210	14	3
	16	2
	17	1
1N3280-31220	14	4
	17	2
1N3280-31251	14	6

Parts No.	Fig. No.	Ref. No.
1N3280-31500	15	1
1N3280-31550	15	2
1N3280-31570-1	15	3
1N3280-31600	15	4
1N3280-31651	15	5
1N3280-31990	14	8
	16	3
	17	3
1N3280-32050	16	4
	18	2
1N3280-32062	16	5
	18	3
1N3280-32081	16	6
1N3280-32210	16	10
1N3280-32230	16	11
1N3280-33170	17	6
1N3280-33201	17	7
1N3280-36711	20	2
1N3280-36950-1	20	3
1N3280-38210	21	6
1N3280-38510-1	21	12
1N3280-51601	23	17
1N3280-51653	23	19
1N3280-51700	23	20
1N3280-51800	23	5
1N3280-53113	25	1
1N3280-55100	27	1
1N3280-61110	28	4
1N3280-61121	28	5
1N3280-61130	28	6
1N3280-61180-1	28	7
1N3280-61212	29	4
1N3280-61290	29	5
1N3280-61312	29	6
1N3280-61350	29	7
1N3280-61360	29	8
1N3280-61490	28	10
1N3280-61601	28	11
1N3280-71270	31	4
1N3280-71280	31	5
1N3280-71501-1	31	6
1N3280-73120	35	2
1N3280-73201	35	4
1N3280-73230	35	5
1N3280-73240	35	6
1N3280-73352-1	36	1
1N3280-73401-1	36	2
1N3280-73450	36	3
1N3280-73460	36	4
1N3280-73470	18	10

## Parts No. Index

Parts No.	Fig. No.	Ref. No.
1N3280-73470	36	5
1N3280-73740	37	5
1N3280-74001-1	39	1
1N3280-74010-1	39	2
1N3280-74020-1	39	3
1N3280-74030	39	4
1N3280-74040	39	5
1N3280-74112	41	2
1N3280-74270	40	5
1N3280-74280	40	6
1N3280-75251-1	43	4
1N3280-96900	49	4
1N3281-11600	4	5
1N3281-11610	4	6
1N3281-12450	5	7
1N3281-12460	5	8
1N3281-30470	13	1
1N3281-31000-1	14	1
1N3281-31220	14	5
1N3281-31290	14	7
1N3281-38190	21	5
	49	1
1N3281-51400	23	16
1N3281-53200	25	3
1N3281-55101	27	2
1N3281-55710	26	1
1N3281-55810	26	2
1N3281-61510	30	2
1N3282-74200	40	2
1N3282-76000	44	1
1N3290-11221	4	3
1N3290-21100	6	3
1N3290-21200	6	4
1N3290-21300	6	5
1N3290-21320	6	7
1N3290-21410	6	12
1N3290-23211-1	8	5
1N3290-25810-1	9	8
1N3290-30700	13	3
1N3290-30711-1	13	4
1N3290-31701	15	6
1N3290-31751	15	7
1N3290-32120	16	8
1N3290-32170	16	9
	18	4
1N3290-32250	16	12
1N3290-32451	16	14
1N3290-33101	17	4
1N3290-34110	18	5
1N3290-34191	18	7

Parts No.	Fig. No.	Ref. No.
1N3290-38010	21	2
1N3290-38150-1	21	3
1N3290-38320	21	10
1N3290-52301	24	7
1N3290-91350	47	3
1N3290-91500	46	10
1N3291-30010	12	1
1N3291-30750	13	5
1N3291-31130	14	2
1N3291-35150	19	3
1N3291-35180	19	4
1N3291-35310	19	5
1N3291-35360	19	6
1N3291-42101	22	1
1N3291-42110	22	4
1N3291-42170	22	5
1N3291-42211	22	6
1N3291-42252	22	7
1N3291-42270	22	8
1N3291-42310	22	9
1N3291-42350	22	10
1N3291-42410	19	8
1N3293-02500	3	2
1N3293-02700	3	3
1N3293-11020	4	1
1N3293-11090	4	2
1N3293-11300	4	4
1N3293-12010	5	1
1N3293-12050	5	3
1N3293-12251	5	4
1N3293-12350	5	5
1N3293-12380	5	6
1N3293-32100	16	7
1N3293-34150	18	6
1N3293-34230	18	8
1N3293-35110	19	2
1N3293-36010	20	1
1N3293-42420	19	9
1N3293-51300	23	4
1N3293-61460	28	9
1N3293-61700	28	12
1N3293-71001	31	1
1N3293-71350	32	1
1N3293-71360	32	2
1N3293-71420	34	1
1N3293-73140	35	3
1N3293-73510	37	2
1N3293-73551	37	3
1N3293-73651	37	4
1N3293-73860	38	1

Parts No.	Fig. No.	Ref. No.
1N3293-73950	38	2
1N3293-74100	41	1
1N3293-74450	42	1
1N3293-75000-1	43	2
1N3293-75150-1	43	3
1N3293-75300	43	5
1N3293-91050	46	1
1N3293-91060	46	2
1N3300-91200	46	12
1N3320-33500	17	8
1N3320-73300	35	7
1N3320-91320	46	8
1N3390-92670	47	5
1N3390-92680	47	6
1N3390-92690	47	7
1N3390-92700	47	4
1N3700-12020	5	2
1N3700-12250	40	1
1N3940-31220	14	5 -1
1N3940-91010	47	1
1N3940-91100	46	3
1N3940-91110	46	4
1N3940-91200	46	5
1N3940-91250	46	6
1N3940-91300	46	7
1N3940-91470	46	9
1N3940-91870	46	11
1N3940-96100	49	3
1Q0140-91050	47	2
22117-100000	37	7
22137-060000	3	7
	17	12
	18	12
	28	14
	33	2
	35	8
		9
	38	3
22137-080000	5	11
	14	12
		13
	16	20
	17	13
	25	7
	33	3
	34	2
	38	4
	45	1
22137-100000	15	15
	18	13

Parts No.	Fig. No.	Ref. No.
22137-100000	19	11
	31	7
	38	5
22137-130000	14	14
22137-140000	19	12
22157-060000	27	5
	28	15
	35	10
	38	6
22190-080000	39	7
22190-140000	39	8
22207-025230	6	14
22207-030230	22	15
22217-050000	22	16
22217-060000	23	24
22217-080000	11	10
		11
	17	14
	45	2
22217-100000	5	12
	11	16
22242-000120	19	13
22242-000130	15	16
22242-000140	7	7
22242-000150	4	9
		10
		11
	6	15
	16	21
22242-000200	22	17
22242-000250	10	5
	21	14
	22	18
22252-000421	4	12
22252-000471	6	16
	22	19
22252-000520	21	15
22252-000550	39	9
22272-000050	3	8
22272-000070	37	8
22272-000100	14	15
22351-050032	4	13
22372-060000	18	14
22372-100000	15	17
	18	15
	19	14
22417-160160	36	6
	38	7
22417-200120	35	11
22417-200160	38	8

## Parts No. Index

Parts No.	Fig. No.	Ref. No.
22417-200200	14	16
22417-250250	19	15
22417-300250	38	9
22487-100300	19	16
22550-070250	43	6
22550-070350	40	8
	44	2
22550-070450	41	3
22550-070550	40	9
22551-050301	5	13
22551-070350	5	14
22697-480321	30	3
22857-500120	27	6
23000-025000	11	12
23000-048000	1	7
23061-140200	49	6
23414-080000	8	8
23490-100002	8	9
24101-060054	6	17
24101-060064	40	10
24101-062024	6	18
24101-062064	41	4
24101-063044	40	11
24104-060044	43	7
24104-060054	22	20
24104-062044	9	10
	22	21
24104-062054	9	11
	21	16
24104-063024	4	14
24190-100001	22	22
24311-000120	10	6
24311-000210	10	7
24321-000550	11	13
24421-153007	6	19
24421-254708	6	20
	9	12
24421-305008	41	5
24421-305512	40	12
24550-010120	6	6
24550-015150	4	15
	16	13
	17	5
24550-020200	9	3
24550-025250	21	8
24761-060000	19	17
25123-004201	5	15
26013-060104	1	8
26013-060202	27	7
26013-060302	27	8

Parts No.	Fig. No.	Ref. No.
26013-080202	5	16
26013-080252	1	9
	8	10
		11
26013-080402	9	13
26013-080502	9	14
	20	4
26013-080602	9	15
26013-080652	20	5
26013-100452	12	6
26014-060122	27	9
	28	16
26014-060162	15	18
	22	23
	23	25
	27	10
26014-060252	22	24
26014-080162	5	17
	13	8
	23	26
	26	3
		4
	29	11
		12
		13
	45	3
26014-080202	5	18
	13	9
	14	17
	15	19
	16	22
		23
	30	4
26014-080252	11	17
	16	24
	18	16
26014-100252	2	2
	20	6
	21	17
	45	4
26014-100402	19	18
26014-100452	2	3
26016-060162	28	17
	38	10
	43	8
26016-080202	39	10
26016-080252	39	11
26016-100252	40	13
	43	9
26018-060124	37	9

Parts No.	Fig. No.	Ref. No.
26018-080202	31	8
	42	2
26018-080204	37	10
26018-080252	42	3
26022-060162	7	8
26051-060002	31	9
	33	4
	35	12
26051-080002	32	3
	33	5
	34	3
	37	11
26051-100002	31	10
26106-080122	8	12
26107-080162	39	12
26116-050162	22	25
26116-060122	33	6
26116-060354	3	9
26116-080162	33	7
	37	12
26116-080252	40	14
26116-080352	43	10
26116-080354	5	19
26116-080702	5	20
26116-080904	17	15
26116-081202	11	14
26116-100252	43	11
	44	3
26117-060122	31	11
26226-080402	8	3
26347-060002	35	13
26347-080002	5	21
	43	12
26367-060002	13	10
26367-080002	5	22
	9	16
	16	25
		26
26487-080202	32	4
26577-080202	34	4
26707-120002	21	18
26717-060002	3	10
	23	27
26717-080002	4	16
	5	23
	10	8
	11	15
	14	18
	16	27
	17	16

Parts No.	Fig. No.	Ref. No.
26717-080002	25	8
	40	15
	42	4
	45	5
26717-100002	3	11
	11	18
	15	20
	16	28
	18	17
	21	19
	43	13
	44	4
26956-080202	10	9
26956-080252	5	24
26956-100352	21	20
27260-150000	8	13
28110-120140	48	3
28110-170190	48	4
28160-100120	48	5
29220-083200	25	6
29420-100000	23	12
29420-150000	23	13
29420-300000	23	14
7E4133-99290	49	5
7E6366-81350	25	5
7N3290-61010	28	3
7N3940-30500	13	2
7N3940-61410	29	9
7N3940-71200	33	1
7N3940-73000	35	1
933152-07400	11	9